



STANDARD CONSTRUCTION

MATERIAL:

ASTM A-653 HOT-DIPPED GALVANIZED STEEL SHEET

STANDARD SIZES:

PART NO.	DIMENSIONS W X H X L	GAUGE
CS30-8	5 1/2" X 1/2" X 8'	30
CS26-8	6" X 1 1/2" X 8'	26
CS263-8	1" X 3" X 8'	26
CS263-10	1" X 3" X 10'	26
CS2675-8	6" X 3/4" X 8'	26
CS223-10	1" X 3" X 10'	22

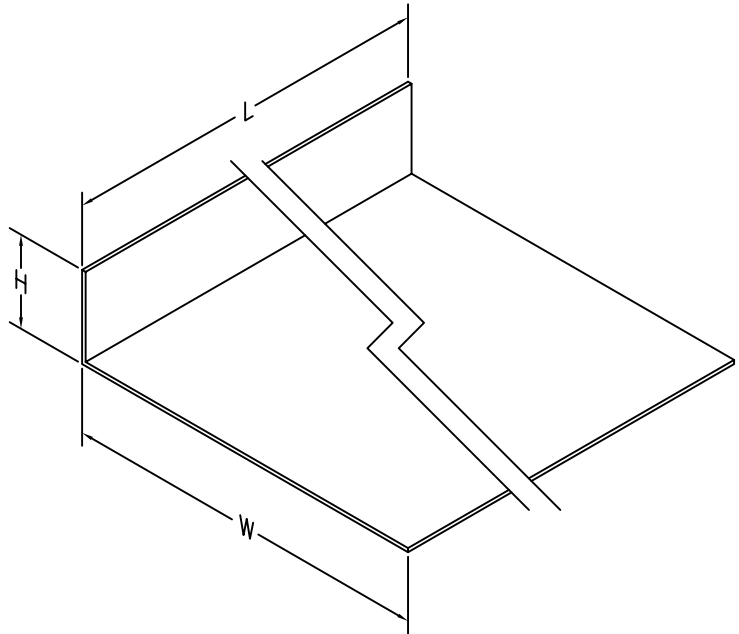
FEATURES

GALVANIZED STEEL PROVIDES EXCELLENT CORROSION RESISTANCE AND LONGEVITY.

VARIOUS SIZES TO BEST SUIT YOUR NEEDS.

SOLD IN CASE QUANTITIES OF 200'.

OPTION: CUSTOM SIZES AVAILABLE.



JOB NAME:
LOCATION:
ARCHITECT:
ENGINEER:
CONTRACTOR:
CONTACT MIAMI TECH INC. FOR ADDITIONAL INFORMATION OR WITH SPECIAL REQUIREMENTS. 3611 NW 74TH ST MIAMI, FL 33147 PHONE: 305-693-7054 FAX: 305-693-6152 WEB: WWW.MIAMITECH.COM EMAIL: SALES@MIAMITECH.COM

CS-8/10

HEAT SHIELD / COLLAR START
PRODUCT SPECIFICATIONS

NOTE: ALL DRAWINGS SUBJECT TO CHANGE WITHOUT PRIOR NOTICE.



DRAWN BY: AF	DATE: 09/26/07	SCALE: NOT TO SCALE	DRAWING NO. CS-8/10
CHECKED BY: IG	DATE: 09/26/07	REVISION 1	