



UNDERWRITERS LABORATORIES INC.  
555 CLASSIFIED  
PRIMARY FIRE DAMPER  
FILE NO. R6336

**PARTS:**

1. CURTAIN TYPE, STAINLESS STEEL  
(22 GAUGE ASTM A-653 HOT-DIPPED GALVANIZED STEEL SHEET)
2. UL LISTED FUSIBLE LINK  
(165°F STANDARD, 212°F OPTIONAL)
3. FRAME  
(16 GAUGE ASTM A-653 HOT-DIPPED GALVANIZED STEEL SHEET)
4. LOCK ASSEMBLY
5. MAIN CURTAIN STAY

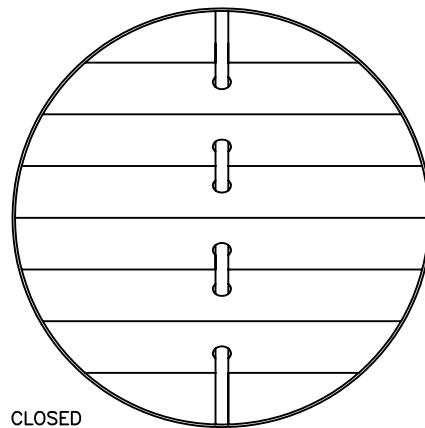
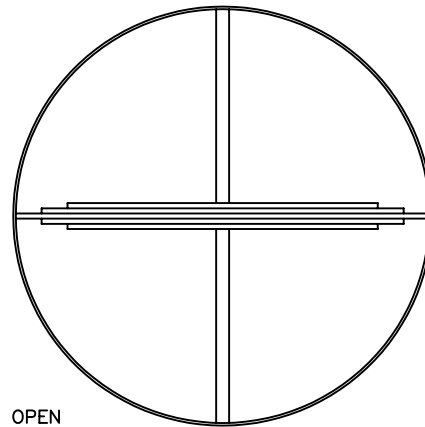
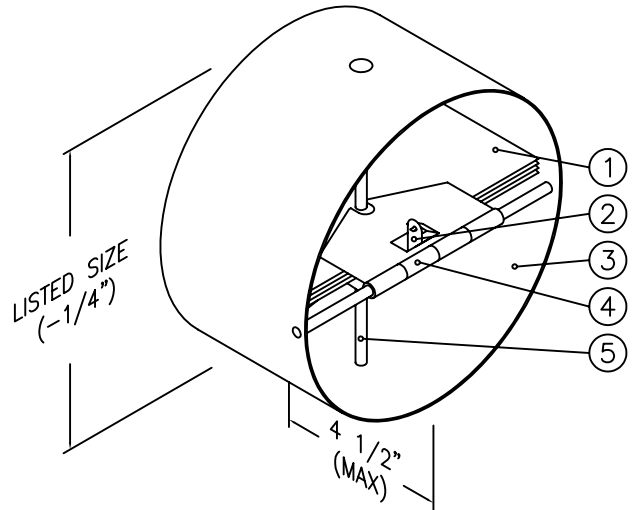
**FEATURES:**

MEETS ALL UL AND NFPA REQUIREMENTS FOR PRIMARY FIRE DAMPERS. APPROVED FOR USE WHERE DUCTS PENETRATE PARTITIONS WITH FIRE RESISTANCE RATINGS OF TWO HOURS OR LESS.

ONE PIECE STAINLESS STEEL CURTAIN FOR VERTICAL OR HORIZONTAL INSTALLATION.

1 1/2 HOUR RATING, FOR USE IN FIRE BARRIERS RATED FOR 2 HOURS OR LESS.

4" - 14" DIAMETER IN 1" INCREMENTS.



JOB NAME:
LOCATION:
ARCHITECT:
ENGINEER:
CONTRACTOR:
CONTACT MIAMI TECH INC. FOR ADDITIONAL INFORMATION OR WITH SPECIAL REQUIREMENTS.
3611 NW 74TH ST MIAMI, FL 33147
PHONE: 305-693-7054 FAX: 305-693-6152
WEB: WWW.MIAMITECH.COM EMAIL: SALES@MIAMITECH.COM

**US-3**

HORIZONTAL/VERTICAL CURTAIN TYPE FIRE DAMPER  
1 1/2 HOURS, DYNAMICALLY RATED  
PRODUCT SPECIFICATIONS



DRAWN BY: AF

DATE: 11/12/07

SCALE: NOT TO SCALE

DRAWING NO. US-3

CHECKED BY: IG

DATE: 4/19/11

REVISION: 4