



STANDARD CONSTRUCTION

BODY:
28 GAUGE HOT-DIPPED GALVANIZED STEEL SHEET

OPTIONS:
W/FLANGE (TWBMF)
W/FLANGE AND INSULATION (TWB)
CUSTOM SIZES AVAILABLE

STANDARD SIZES:

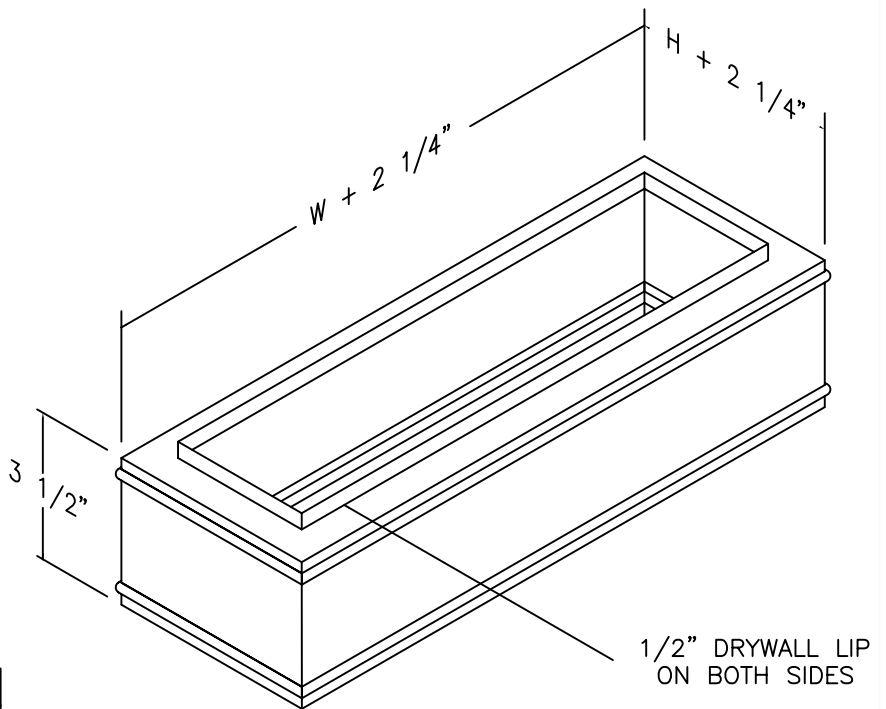
| W X H |
|---------|
| 8 X 4 |
| 8 X 6 |
| 8 X 8 |
| 10 X 6 |
| 10 X 8 |
| 10 X 10 |
| 12 X 6 |
| 12 X 8 |
| 12 X 10 |
| 12 X 12 |
| 14 X 6 |
| 14 X 8 |
| 14 X 10 |
| 14 X 12 |
| 14 X 14 |
| 16 X 6 |
| 16 X 8 |
| 18 X 10 |

FEATURES

DESIGN INCLUDES 1/2" DRYWALL LIP ON BOTH SIDES OF BOOT.

OPENING 1/4" OVERSIZED TO ACCOMMODATE REGISTER/GRILLE.

DUAL BEAD BOX DESIGN FOR ADDED STRENGTH.



| |
|---|
| JOB NAME: |
| LOCATION: |
| ARCHITECT: |
| ENGINEER: |
| CONTRACTOR: |
| CONTACT MIAMI TECH INC. FOR ADDITIONAL INFORMATION OR WITH SPECIAL REQUIREMENTS. 3611 NW 74TH ST MIAMI, FL 33147 PHONE: 305-693-7054 FAX: 305-693-6152 WEB: WWW.MIAMITECH.COM EMAIL: SALES@MIAMITECH.COM |

TWBM

METAL THROUGH WALL BOOT
PRODUCT SPECIFICATIONS

NOTE: ALL DRAWINGS SUBJECT TO CHANGE WITHOUT PRIOR NOTICE.



| | | | |
|----------------|----------------|---------------------|-------------|
| DRAWN BY: AF | DATE: 09/18/07 | SCALE: NOT TO SCALE | DRAWING NO. |
| CHECKED BY: IG | DATE: 09/18/07 | REVISION: 2 | TWBM |