



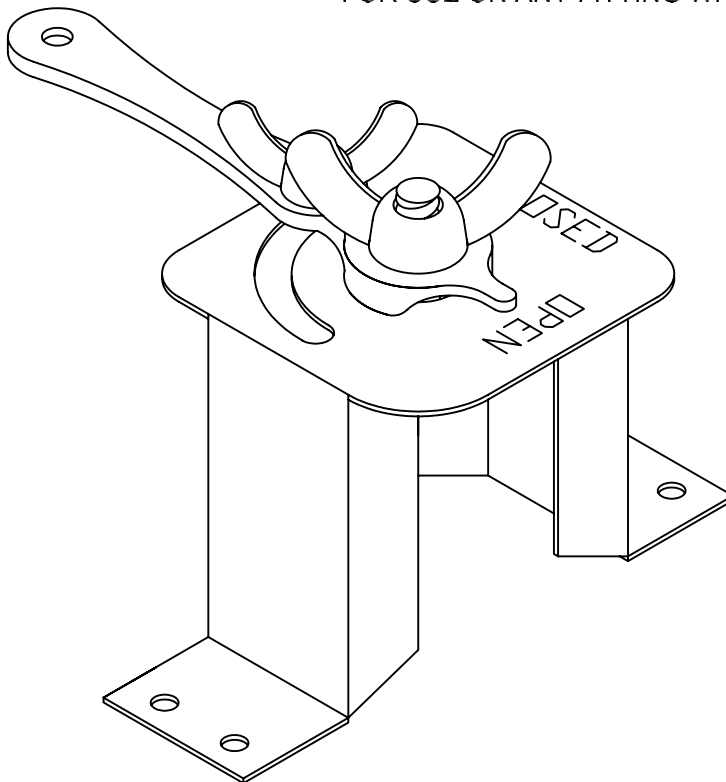
STANDARD CONSTRUCTION :

22GA GALVANIZED STEEL

FEATURES:

EQUIPPED W/ BUTTERFLY-NUTS TOP AND BOTTOM TO LOCK IN DAMPER, AS WELL AS A POSITION LOCK NUT.

FOR USE ON ANY FITTING WITH DAMPER.



JOB NAME:
LOCATION:
ARCHITECT:
ENGINEER:
CONTRACTOR:
CONTACT MIAMI TECH INC. FOR ADDITIONAL INFORMATION OR WITH SPECIAL REQUIREMENTS. 3611 NW 74TH ST MIAMI, FL 33147 PHONE: 305-693-7054 FAX: 305-693-6152 WEB: WWW.MIAMITECH.COM EMAIL: SALES@MIAMITECH.COM

**E-STYLE STAND OFF OPTION
PRODUCT SPECIFICATIONS**



DRAWN BY: AV	DATE: 08.03.2009	SCALE: NOT TO SCALE	DRAWING NO.:
CHECKED BY: IV	DATE: 08.03.2009	REVISION: 01	SOE