

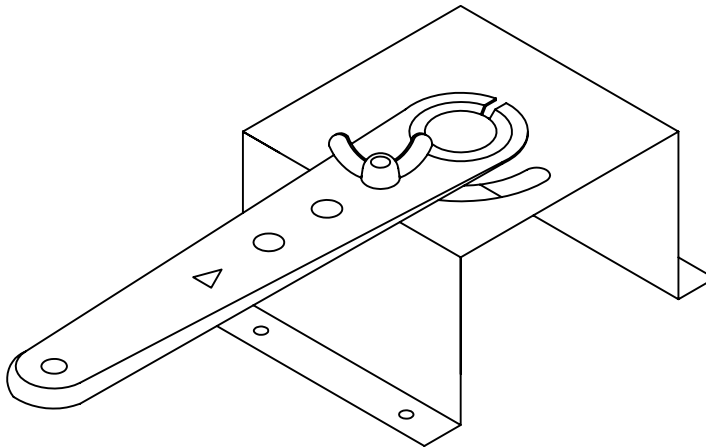


**STANDARD CONSTRUCTION :**

22GA GALVANIZED STEEL

**FEATURES:**

EQUIPPED W/ BUTTERFLY-NUTS TOP AND BOTTOM TO LOCK IN DAMPER, AS WELL AS A POSITION LOCK NUT.



JOB NAME:
LOCATION:
ARCHITECT:
ENGINEER:
CONTRACTOR:
CONTACT MIAMI TECH INC. FOR ADDITIONAL INFORMATION OR WITH SPECIAL REQUIREMENTS. 3611 NW 74TH ST MIAMI, FL 33147 PHONE: 305-693-7054 FAX: 305-693-6152 WEB: WWW.MIAMITECH.COM EMAIL: SALES@MIAMITECH.COM

**AVAILABLE ON THE FOLLOWNG MODELS:**

- 261D
- FSC/FSCT
- MSIC/MSICT
- SD
- SSC/SSCT
- TCD/TCZD
- RTDS

**STAND OFF OPTION  
PRODUCT SPECIFICATIONS**



<small>DRAWN BY:</small> AV	<small>DATE:</small> 5-10-2011	<small>SCALE:</small> NOT TO SCALE	<small>DRAWING NO.</small> SO
<small>CHECKED BY:</small> IV	<small>DATE:</small>	<small>REVISION:</small> 01	