



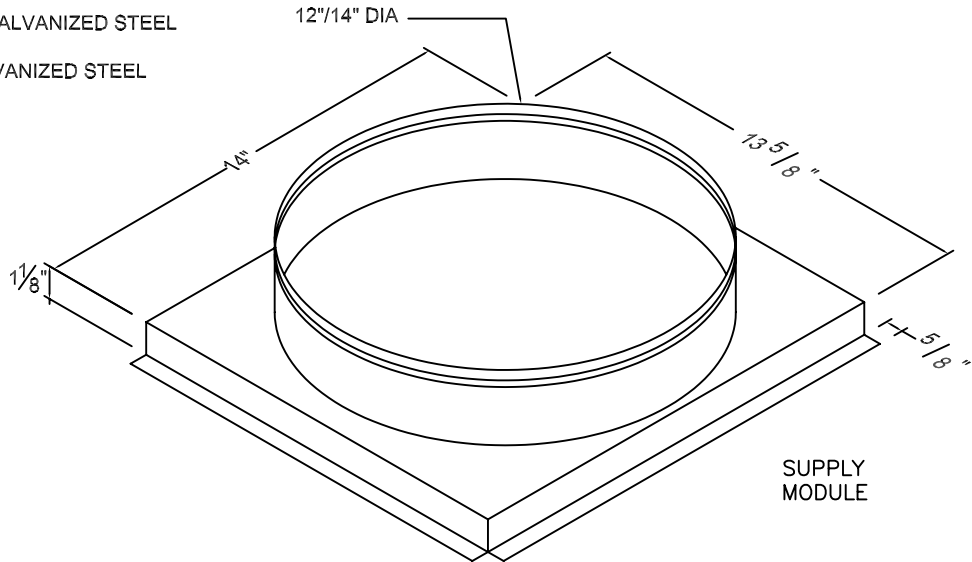
**STANDARD CONSTRUCTION**

26 GAUGE ASTM A-653 HOT -DIPPED GALVANIZED STEEL

COLLAR: 26 GAUGE HOT DIPPED GALVANIZED STEEL

INSULATION:  
1"-R4 BLACK DIFFUSER BOARD

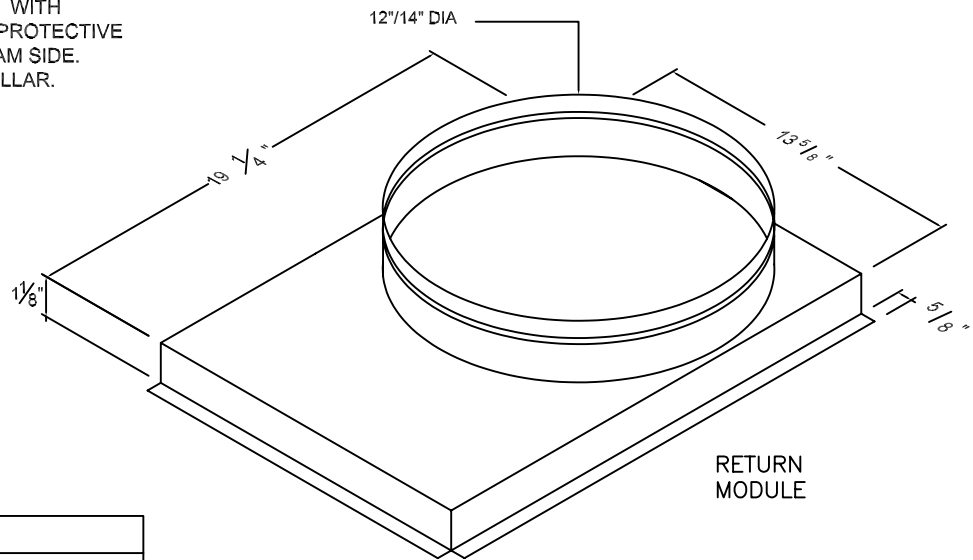
OPTIONS:  
CUSTOM SIZES AVAILABLE



**FEATURES**

COLLAR INSTALLED WITH EXPANSION LOCK AND THEN SEALED AIR TIGHT WITH PARABOND ALUMINUM ADHESIVE

BLACK DIFFUSER BOARD COATED WITH EPA-REGISTERED, ANTI-MICROBIAL, PROTECTIVE ACRYLIC AGENT ALONG AIR STREAM SIDE. AVAILABLE IN 12" OR 14" ROUND COLLAR. SOLD IN SETS (SUPPLY/RETURN).



JOB NAME:
LOCATION:
ARCHITECT:
ENGINEER:
CONTRACTOR:

CONTACT MIAMI TECH INC. FOR ADDITIONAL INFORMATION OR WITH SPECIAL REQUIREMENTS.

3611 NW 74TH ST  
MIAMI, FL 33147  
PHONE: 305-693-7054 FAX: 305-693-6152

WEB: WWW.MIAMITECH.COM  
EMAIL: SALES@MIAMITECH.COM

**RTCPUSR**

RHEEM/RUUD TAKE-OFF COLLAR  
FOR PACKAGE UNIT

PRODUCT SPECIFICATIONS

NOTE: ALL DRAWINGS SUBJECT TO CHANGE WITHOUT PRIOR NOTICE.



DRAWN BY: CG	DATE: 06/10/2010	SCALE: NOT TO SCALE	DRAWING NO. RTCPUSR
CHECKED BY: IV	DATE: 06/10/2010	REVISION: 01	