

**STANDARD CONSTRUCTION**
**BODY:**

4"-10" 28 GAUGE

12"-16" 26 GAUGE

ASTM A-653 HOT-DIPPED

GALVANIZED STEEL

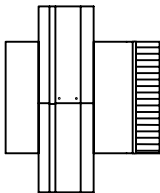
**STANDARD SIZES:**

DIAMETER	MODEL
4"	RSC04
6"	RSC06
8"	RSC08
10"	RSC10
12"	RSC12
14"	RSC14

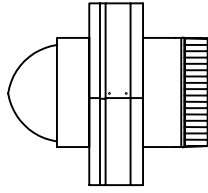
DIAMETER	W/ SCOOP
4"	RSCZ04
6"	RSCZ06
8"	RSCZ08
10"	RSCZ10
12"	RSCZ12
14"	RSCZ14

DIAMETER	W/ DAMPER
4"	RSCD04
6"	RSCD06
8"	RSCD08
10"	RSCD10
12"	RSCD12
14"	RSCD14

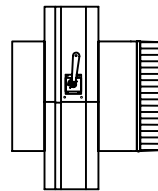
DIAMETER	W/ SCOOP AND DAMPER
4"	RSCZD04
6"	RSCZD06
8"	RSCZD08
10"	RSCZD10
12"	RSCZD12
14"	RSCZD14



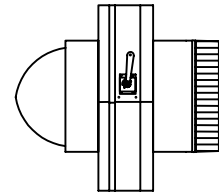
RSC



RSCZ



RSCD



RSCZD

**FEATURES**

BODY MECHANICALLY FASTENED TOGETHER TO ENSURE A RIGID ASSEMBLY.

**OPTIONS:**

AVAILABLE WITH DAMPER (MODEL RSCDXX)

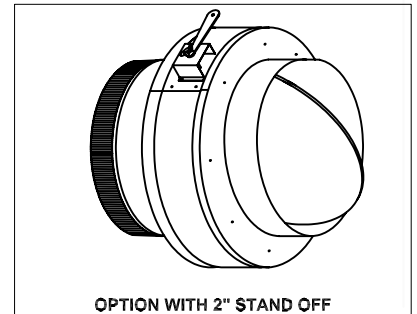
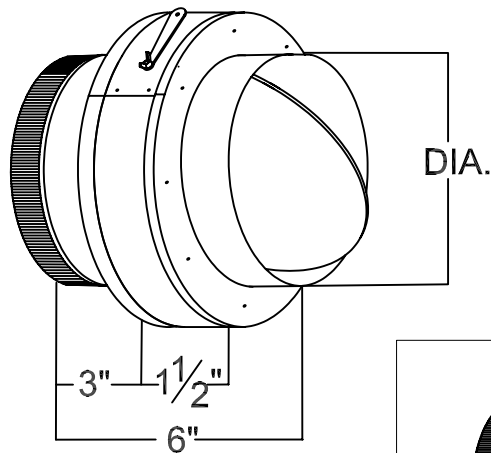
AVAILABLE WITH SCOOP (MODEL RSCZXX)

AVAILABLE WITH SCOOP &amp; DAMPER (MODEL RSCZDXX)

CUSTOM SIZES AVAILABLE.

2" STAND-OFF (ADD -SO TO PART NO.)

GASKET (ADD G TO PART NO.)



JOB NAME:
LOCATION:
ARCHITECT:
ENGINEER:
CONTRACTOR:
CONTACT MIAMI TECH INC. FOR ADDITIONAL INFORMATION OR WITH SPECIAL REQUIREMENTS.  3611 NW 74TH ST MIAMI, FL 33147 PHONE: 305-693-7054 FAX: 305-693-6152  WEB: WWW.MIAMITECH.COM EMAIL: SALES@MIAMITECH.COM

**RSC**  
**RING SEAL COLLAR**  
**PRODUCT SPECIFICATIONS**

NOTE: ALL DRAWINGS SUBJECT TO CHANGE WITHOUT PRIOR NOTICE.

DRAWN BY: AF	DATE: 12/18/2008	SCALE: NOT TO SCALE	DRAWING NO. RSC
CHECKED BY: IV	DATE: 11/15/10	REVISION: 02	