



APPLIED RESEARCH LABORATORIES
TESTED TO MEET ANSI/UL555C
ARL LISTING NO. 29730

MINIMUM	MAXIMUM	HEIGHT
6" X 6"	14" X 14"	9 1/4"
16" X 16"	24" X 24"	11 1/2"

PARTS:

- REGISTER BOX BODY
(28 GAUGE ASTM A-653 HOT-DIPPED GALVANIZED STEEL SHEET)
- R4.2 OR R6 BLACK DIFFUSER BOARD
(PRE-INSTALLED)
- 1" MOUNTING FLANGE
- 1/2" DRYWALL LIP
- MODEL 615 FIRE BLADE
(22 GAUGE ASTM A-653 HOT-DIPPER GALVANIZED STEEL SHEET)
- MODEL 615 UL LISTED FUSIBLE LINK
(165°F STANDARD, 212°F OPTIONAL)
- MODEL 615 FRAME
(22 GAUGE ASTM A-653 HOT-DIPPED GALVANIZED STEEL SHEET)

FEATURES:

DESIGNED FOR INSTALLATION THROUGH WOOD OR GYPSUM CEILINGS. CAN BE MOUNTED DIRECTLY TO TRUSSES OR SUSPENDED.

EACH BOX IS IDENTIFIED WITH AN ARL LABEL AND A MTI IDENTIFICATION PLATE.

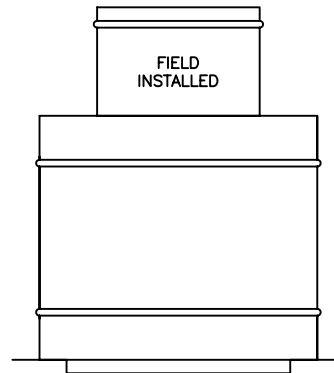
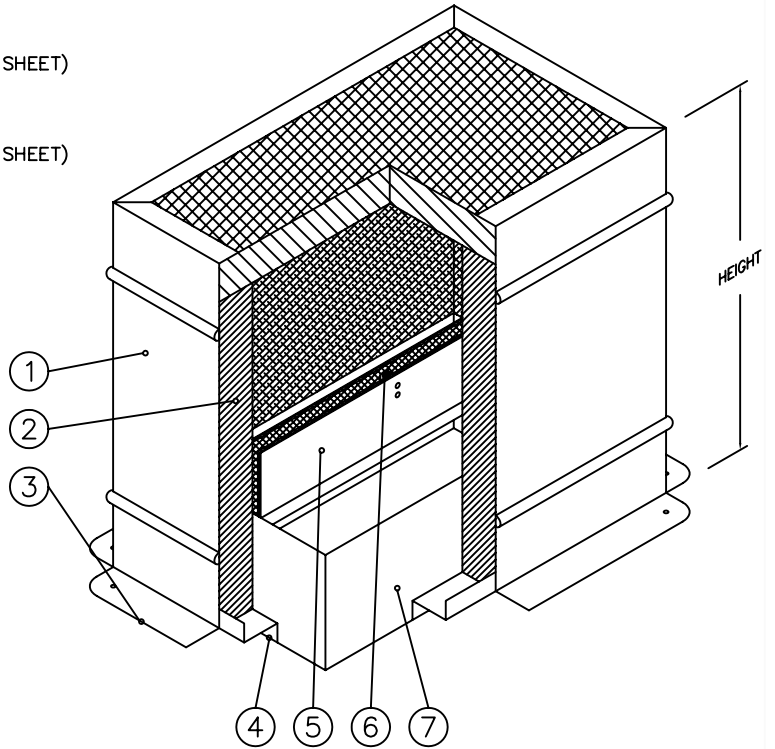
PRE-INSULATED WITH R4.2 OR R6 BLACK DIFFUSER BOARD.

6" X 6" MINIMUM / 24" X 24" MAXIMUM UNIT DIMENSIONS.

PRE-INSTALLED RADIATION DAMPER.

1 HOUR RATING.

OPTIONS: CUSTOM SIZES AVAILABLE
FACTORY INSTALLED COLLAR



JOB NAME:
LOCATION:
ARCHITECT:
ENGINEER:
CONTRACTOR:
CONTACT MIAMI TECH INC. FOR ADDITIONAL INFORMATION OR WITH SPECIAL REQUIREMENTS. 3611 NW 74TH ST MIAMI, FL 33147 PHONE: 305-693-7054 FAX: 305-693-6152 WEB: WWW.MIAMITECH.COM EMAIL: SALES@MIAMITECH.COM

R4/R6RDB

CEILING RADIATION DAMPER BOX ASSEMBLY
PRODUCT SPECIFICATIONS

NOTE: ALL DRAWINGS SUBJECT TO CHANGE WITHOUT PRIOR NOTICE.



DRAWN BY: AF	DATE: 11/21/07	SCALE: NOT TO SCALE	DRAWING NO. RDB
CHECKED BY: IG	DATE: 11/21/07	REVISION: 1	