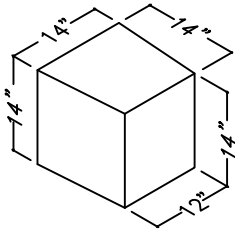


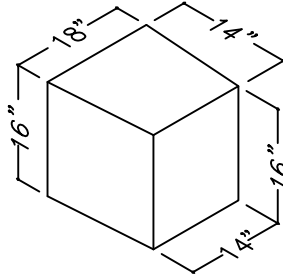


SRA, MRA, LRA, XRA SRK, MRK, LRK, XRK

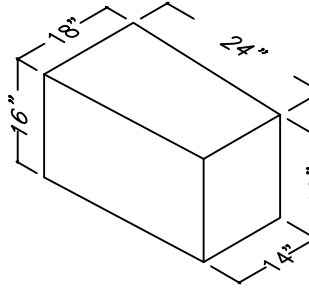
SRA/SRK



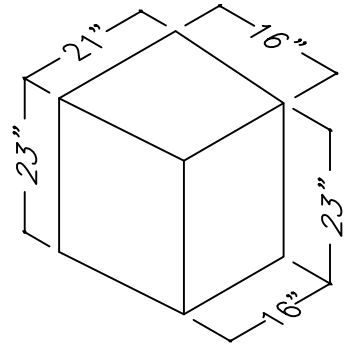
MRA/MRK



LRA/LRK



XRA/XRK



NOTE: DIAGRAMS SHOW OUTSIDE DIMENSIONS.

MIAMI TECH'S FIBERGLASS REDUCER BOXES COME IN A VARIETY OF DIMENSIONS TO BEST SUIT THE NEEDS OF THE JOB. THESE BOXES ARE MADE OF 1 1/2" THICK R6 FIBERGLASS INSULATION WITH A FOIL BARRIER). ALL MODELS ARE AVAILABLE AS PRE-CONSTRUCTED OR UNFOLDED UNITS. UNFOLDED UNITS CAN BE BUILT QUICKLY AND REQUIRE ONLY TAPE TO FASTEN THEM. DUCT OPENINGS CAN BE EASILY CUT WITH A UTILITY KNIFE.

REDUCER BOXES: ASSEMBLED					
PART NO.	SIZE	LARGE SIDE (OUTSIDE DIMENSIONS)	SMALL SIDE (OUTSIDE DIMENSIONS)	LENGTH (OUTSIDE DIMENSIONS)	PKG. QUANTITY
SRA	SMALL	14 x 14"	14 X 14 X 14	14"	6
MRA	MEDIUM	16 x 18"	14 X 14 X 14	14"	6
LRA	LARGE	16 x 18"	19 X 19 X 19	24"	1
XRA	EXTRA LARGE	23 x 21"	19 X 19 X 19	16"	1
REDUCER BOXES: KNOCKED DOWN					
PART NO.	SIZE	LARGE SIDE (OUTSIDE DIMENSIONS)	SMALL SIDE (OUTSIDE DIMENSIONS)	LENGTH (OUTSIDE DIMENSIONS)	PKG. QUANTITY
SRK	SMALL	14 x 14"	14 X 14 X 14	14"	12
MRK	MEDIUM	16 x 18"	14 X 14 X 14	14"	8
LRK	LARGE	16 x 18"	19 X 19 X 19	24"	8
XRK	EXTRA LARGE	23 x 21"	19 X 19 X 19	16"	8

**SRA, MRA, LRA, XRA
SRK, MRK, LRK, XRK**

FIBERGLASS REDUCER BOXES
PRODUCT DESCRIPTION

NOTE: ALL DRAWINGS SUBJECT TO CHANGE WITHOUT PRIOR NOTICE.



miami tech inc.

DRAWN BY: AF

DATE: 08/02/07

SCALE: NOT TO SCALE

DRAWING NO: RA/RK01

CHECKED BY: IG

DATE: 5/10/12

REVISION: C