

STANDARD CONSTRUCTION
BODY:

4"-10" 28 GAUGE
 12"-20" 26 GAUGE
 ASTM A-653 HOT-DIPPED
 GALVANIZED STEEL

STANDARD SIZES:

DIAMETER	MODEL
4"	R8-FCL04
5"	R8-FCL05
6"	R8-FCL06
7"	R8-FCL07
8"	R8-FCL08
9"	R8-FCL09
10"	R8-FCL10
12"	R8-FCL12
14"	R8-FCL14
16"	R8-FCL16
18"	R8-FCL18
20"	R8-FCL20

DIAMETER	W/ SCOOP
4"	R8-FCZ04
5"	R8-FCZ05
6"	R8-FCZ06
7"	R8-FCZ07
8"	R8-FCZ08
9"	R8-FCZ09
10"	R8-FCZ10
12"	R8-FCZ12
14"	R8-FCZ14
16"	R8-FCZ16
18"	R8-FCZ18
20"	R8-FCZ20

DIAMETER	W/ DAMPER
4"	R8-FCD04
5"	R8-FCD05
6"	R8-FCD06
7"	R8-FCD07
8"	R8-FCD08
9"	R8-FCD09
10"	R8-FCD10
12"	R8-FCD12
14"	R8-FCD14
16"	R8-FCD16
18"	R8-FCD18
20"	R8-FCD20

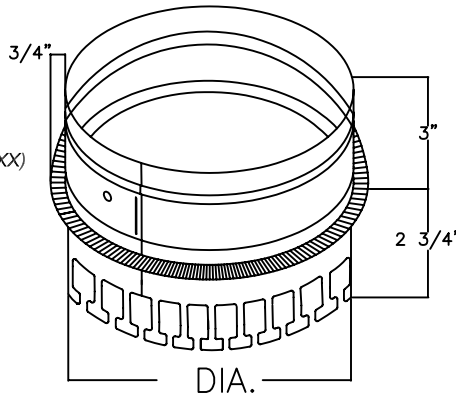
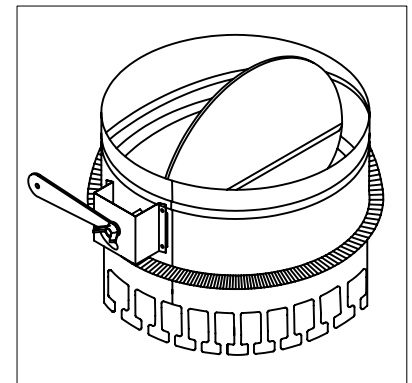
DIAMETER	W/ SCOOP AND DAMPER
4"	R8-FCZD04
5"	R8-FCZD05
6"	R8-FCZD06
7"	R8-FCZD07
8"	R8-FCZD08
9"	R8-FCZD09
10"	R8-FCZD10
12"	R8-FCZD12
14"	R8-FCZD14
16"	R8-FCZD16
18"	R8-FCZD18
20"	R8-FCZD20

FEATURES

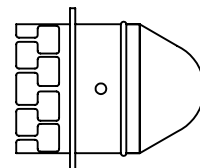
SNAP-LOCK CLOSURE FOR EASY ASSEMBLY

OPTIONS:

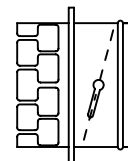
AVAILABLE WITH DAMPER (MODEL R8-FCDXX)
 AVAILABLE WITH SCOOP (MODEL R8-FCZXX)
 AVAILABLE WITH SCOOP & DAMPER (MODEL R8-FCZDXX)
 AVAILABLE FOR 1 1/2" TO 2" FIBERGLASS
 CUSTOM SIZES AVAILABLE.
 2" STAND-OFF (ADD "-SO" TO PART NO.)
 GASKET (ADD "G" TO PART NO.)


STAND-OFF OPTION


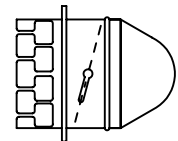
JOB NAME:
LOCATION:
ARCHITECT:
ENGINEER:
CONTRACTOR:
CONTACT MIAMI TECH INC. FOR ADDITIONAL INFORMATION OR WITH SPECIAL REQUIREMENTS.
3611 NW 74TH ST MIAMI, FL 33147
PHONE: 305-693-7054 FAX: 305-693-6152
WEB: WWW.MIAMITECH.COM EMAIL: SALES@MIAMITECH.COM



R8-FCL



R8-FCD



R8-FCZD

R8FCL
**R8 TAB COLLAR FOR FIBERGLASS
PRODUCT SPECIFICATIONS**

NOTE: ALL DRAWINGS SUBJECT TO CHANGE WITHOUT PRIOR NOTICE.

DRAWN BY: AF	DATE: 12/04/2008	SCALE: NOT TO SCALE	DRAWING NO. R8FCL
CHECKED BY: IV	DATE: 12/04/2008	REVISION: 01	