



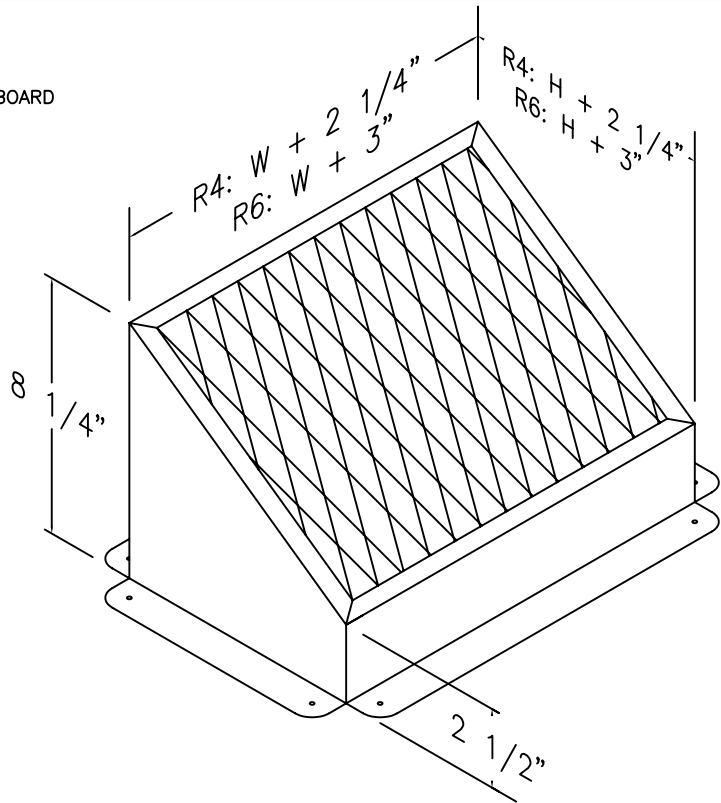
STANDARD CONSTRUCTION

BODY:
28 GAUGE GALVANIZED STEEL SHEET
INSULATED WITH R4 OR R6 BLACK FIBERGLASS DIFFUSER BOARD

OPTIONS:
CUSTOM SIZES AVAILABLE

STANDARD SIZES:

W X H
8 X 4
8 X 8
10 X 8
10 X 10
12 X 6
12 X 8
12 X 12
14 X 6
14 X 8



FEATURES

28 GAUGE GALVANIZED STEEL PROVIDES EXCELLENT CORROSION RESISTANCE AND LONGEVITY.

1" PERIMETER FLANGE PROVIDES FOR EASY INSTALLATION.

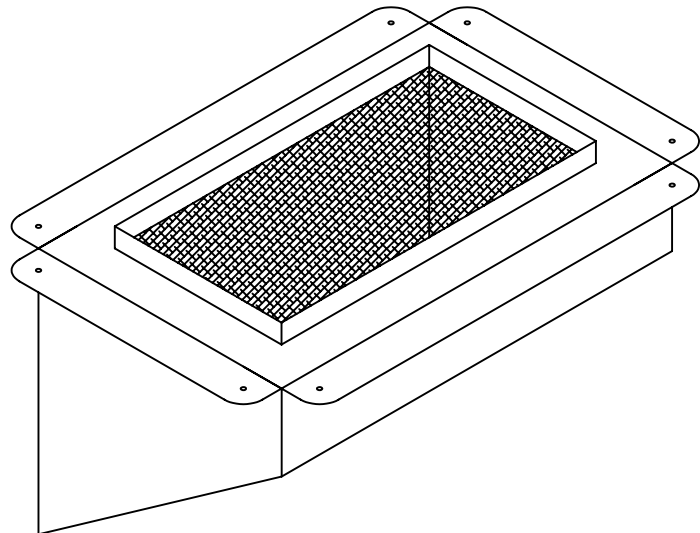
FULLY INSULATED BODY.

RIVETED SEAMS FOR ADDED STRENGTH.

AVAILABLE AS AN UNFLANGED UNIT. (SBU)

FIBERGLASS BACKED REGISTER BOXES CAN BE EASILY FIELD CUT TO FIT A VARIETY OF COLLAR SIZES.

BLACK DIFFUSER BOARD COATED WITH EPA-REGISTERED, ANTI-MICROBIAL, PROTECTIVE ACRYLIC AGENT ALONG AIR STREAM SIDE.



JOB NAME:
LOCATION:
ARCHITECT:
ENGINEER:
CONTRACTOR:
CONTACT MIAMI TECH INC. FOR ADDITIONAL INFORMATION OR WITH SPECIAL REQUIREMENTS.
3611 NW 74TH ST MIAMI, FL 33147 PHONE: 305-693-7054 FAX: 305-693-6152
WEB: WWW.MIAMITECH.COM EMAIL: SALES@MIAMITECH.COM

R4SBF, R6SBF
FIBERGLASS BACKED
FLANGED SLANTED REGISTER BOX
PRODUCT SPECIFICATIONS

NOTE: ALL DRAWINGS SUBJECT TO CHANGE WITHOUT PRIOR NOTICE.



DRAWN BY: AF	DATE: 08/24/07	SCALE: NOT TO SCALE	DRAWING NO. R4SBF/R6SBF
CHECKED BY: IG	DATE: 08/24/07	REVISION: 1	