



1 HOUR RATED CRD/REGISTER/GRILLE ASSEMBLY
CRD/REGISTER BOX ASSEMBLY FOR FLOOR/CEILING AND ROOF/CEILING
WOOD TRUSS ASSEMBLIES OF CONSTRUCTION L-521, L-528 and L-546
TYPES.

STANDARD CONSTRUCTION

BODY:
R6 BLACK DIFFUSER BOARD

RADIATION DAMPER (MODEL 615):
22 GAUGE ASTM A-653 HOT-DIPPED
GALVANIZED STEEL SHEET
CERAMIC FIBER WITH FIBERGLASS COVER
UL LISTED FUSIBLE LINK (165F STANDARD, 212F AVAILABLE)

FEATURES

GALVANIZED STEEL PROVIDES EXCELLENT CORROSION
RESISTANCE AND LONGEVITY.

6" X 6" MINIMUM / 14" X 14" MAXIMUM DIMENSIONS.

MAXIMUM RECTANGULAR AREA 196 SQ. IN.

BUTTERFLY STYLE RADIATION DAMPER FOR
POINT-OF-ORIGIN RADIANT HEAT CONTROL.

FOR USE IN COMBUSTIBLE FLOOR-CEILING /
ROOF-CEILING ASSEMBLIES WITH FIRE RESISTANCE RATINGS
OF 1 HOUR OR LESS.

FACTORY INSTALLED COLLARS AVAILABLE
PICK COLLAR SIDE AND SHAPE

- TOP SIDE ROUND
- WIDE SIDE RECTANGLE
- NARROW SIDE

OPTIONS: CUSTOM SIZES AVAILABLE
R4 (1") FIBERGLASS DIFFUSER BOARD
AVAILABLE
PLASTER GROUND EXTENSION AVAILABLE IN
1", 1 1/2" AND 2"
INSTALLATION ANGLES AVAILABLE



APPLIED RESEARCH LABORATORIES
TESTED TO MEET ANSI/UL555C
ARL LISTING NO. 30123

JOB NAME: _____

LOCATION: _____

ARCHITECT: _____

ENGINEER: _____

CONTRACTOR: _____

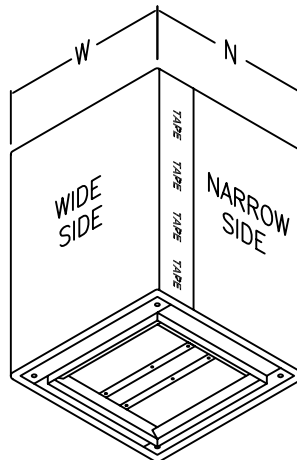
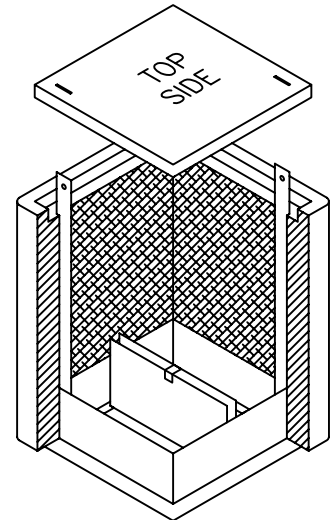
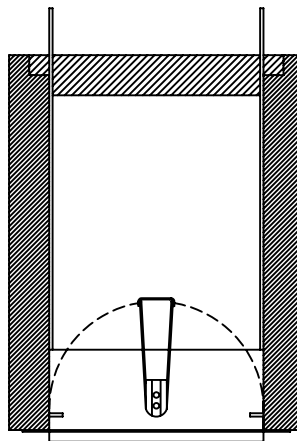
CONTACT MIAMI TECH INC. FOR ADDITIONAL
INFORMATION OR WITH SPECIAL REQUIREMENTS.

3611 NW 74TH ST
MIAMI, FL 33147
PHONE: 305-693-7054 FAX: 305-693-6152

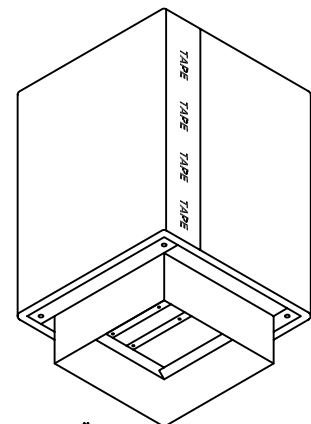
WEB: WWW.MIAMITECH.COM
EMAIL: SALES@MIAMITECH.COM

STANDARD SIZES:

MODEL	W X N
R6521FGB0606	6 X 6
R6521FGB0804	8 X 4
R6521FGB0806	8 X 6
R6521FGB0808	8 X 8
R6521FGB1006	10 X 6
R6521FGB1008	10 X 8
R6521FGB1010	10 X 10
R6521FGB1206	12 X 6
R6521FGB1208	12 X 8
R6521FGB1212	12 X 12
R6521FGB1406	14 X 6
R6521FGB1408	14 X 8
R6521FGB1414	14 X 14



STANDARD 1/2" LIP



EXTENDED 3" LIP

R6521FGB

R6 DUCT BOARD REGISTER BOX
W/ CEILING RADIATION DAMPER
PRODUCT SPECIFICATIONS

NOTE: ALL DRAWINGS SUBJECT TO CHANGE WITHOUT PRIOR NOTICE.



DRAWN BY: AF	DATE: 10/10/07	SCALE: NOT TO SCALE	DRAWING NO. 521FGB
CHECKED BY: IG	DATE: 10/10/07	REVISION: 1	