

STANDARD CONSTRUCTION

MATERIAL:
22 GAUGE ASTM A-653 HOT-DIPPED GALVANIZED STEEL SHEET

STANDARD SIZES:

MODEL*	DIAMETER	BODY LENGTH	QTY
MZDR04-POSC	4	10"	1
MZDR05-POSC	5	10"	1
MZDR06-POSC	6	10"	1
MZDR07-POSC	7	10"	1
MZDR08-POSC	8	10"	1
MZDR09-POSC	9	12"	1
MZDR10-POSC	10	12"	1
MZDR12-POSC	12	16"	1
MZDR14-POSC	14	16"	1
MZDR16-POSC	16	20"	1
MZDR18-POSC	18	20"	1

*MZDR DAMPERS AVAILABLE WITH TWO (2) MOTOR ACTUATOR STYLES:
POSC (STANDARD): POWER OPEN (24VAC), SPRING CLOSE
POPC (OPTIONAL): POWER OPEN, POWER CLOSE (24VAC)

OPERATION CAN BE REVERSED FROM POSC TO PCSO (POWER CLOSE, SPRING OPEN) BY LOOSENING SHAFT COLLAR SET SCREW, AND RESETTING BLADE AT 90 DEGREES.

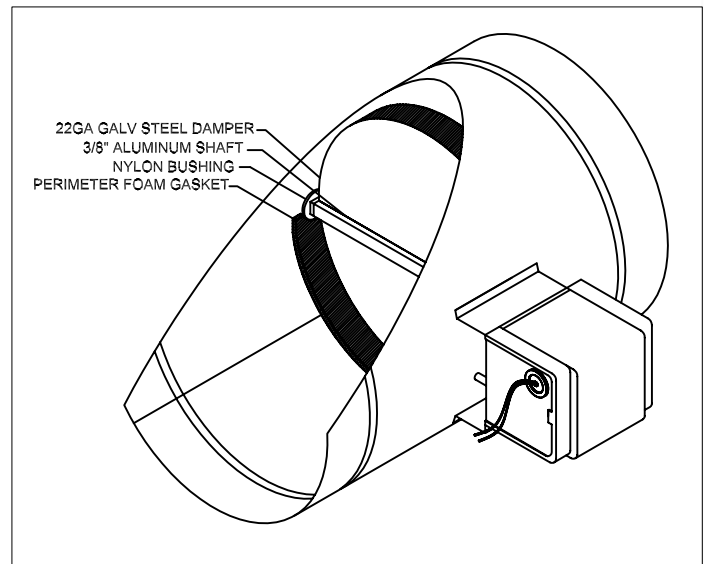
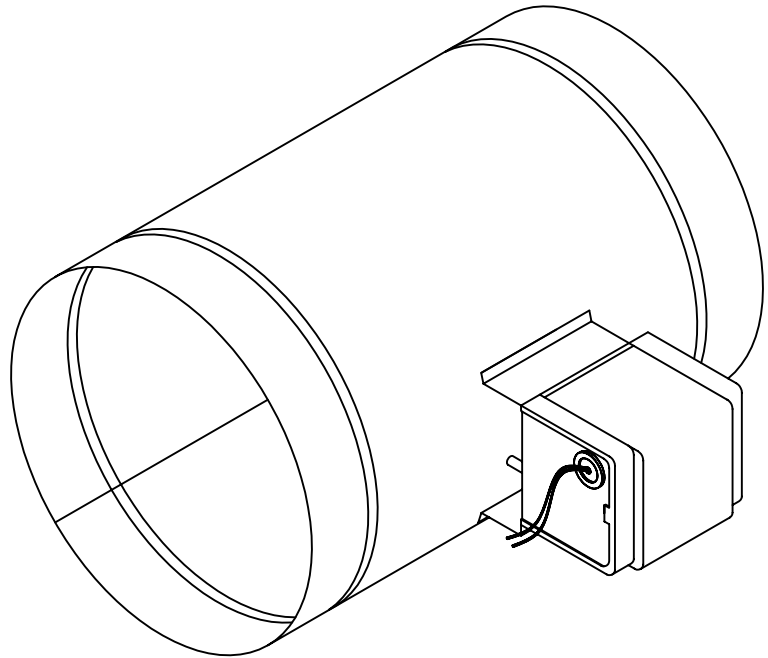
FEATURES

GALVANIZED STEEL PROVIDES EXCELLENT CORROSION RESISTANCE AND LONGEVITY.

3/8" ALUMINUM SHAFT AND 22GA DAMPER BLADE

PERIMETER FOAM GASKET TO REDUCE LEAKAGE WHEN DAMPER IS CLOSED

OPTIONS: CUSTOM SIZES AVAILABLE.



JOB NAME:
LOCATION:
ARCHITECT:
ENGINEER:
CONTRACTOR:
CONTACT MIAMI TECH INC. FOR ADDITIONAL INFORMATION OR WITH SPECIAL REQUIREMENTS.
3611 NW 74TH ST MIAMI, FL 33147 PHONE: 305-693-7054 FAX: 305-693-6152
WEB: WWW.MIAMITECH.COM EMAIL: SALES@MIAMITECH.COM

MZDRXX

**Motorized Zone Damper, Round
PRODUCT SPECIFICATIONS**

NOTE: ALL DRAWINGS SUBJECT TO CHANGE WITHOUT PRIOR NOTICE.

DRAWN BY: AV	DATE: 2/17/11	SCALE: NOT TO SCALE	DRAWING NO. MZDR
CHECKED BY: IV	DATE: 4/1/11	REVISION 2	