



**STANDARD CONSTRUCTION**

**FRAME:**

**14 GAUGE ASTM A-653 HOT-DIPPED GALVANIZED STEEL SHEET**

**TUBING:**

**16 GAUGE HOT-DIPPED GALVANIZED STEEL TUBE**

**(4) BOLTS AND (4) NYLON LOCKING NUTS**

**FEATURES**

**GALVANIZED STEEL PROVIDES EXCELLENT CORROSION RESISTANCE AND LONGEVITY.**

**STAND ADJUSTS TO 19", 24" AND 30" IN HEIGHT.**

**PACKAGED KNOCKED DOWN IN 2" TALL BOXES FOR COMPACT AND EASY STORAGE, HANDLING, AND TRANSPORT.**

**1/8" X 3/8" RUBBER STRIPS INCLUDED TO MINIMIZE VIBRATION.**

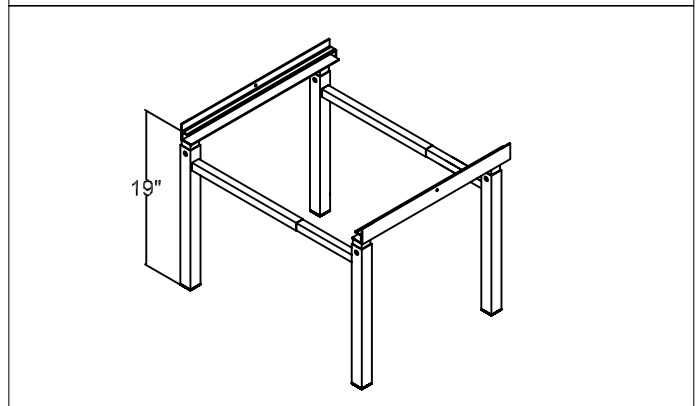
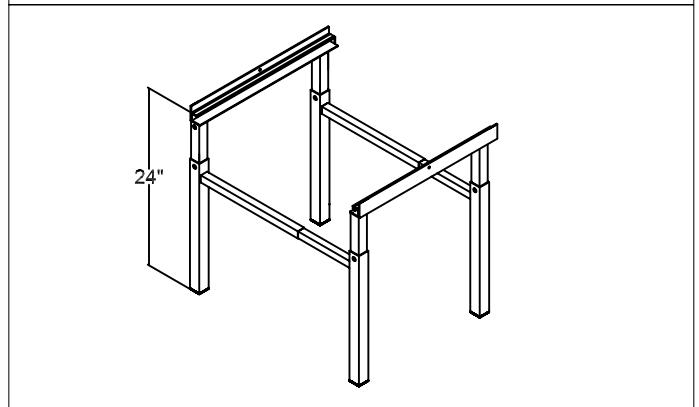
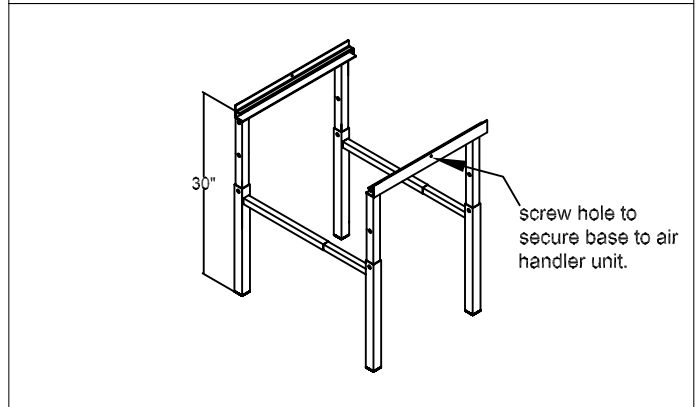
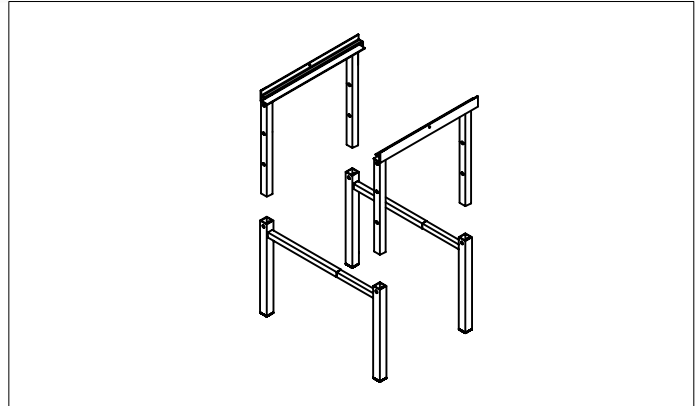
**1" PLASTIC CAPS ON LOWER LEG OPENINGS.**

**UNIVERSAL DEPTH (22") TO FIT MOST AIR HANDLER UNITS.**

**N: WIDTH ADJUSTABLE FROM 14" - 25"**

**W: WIDTH ADJUSTABLE FROM 17" - 27"**

**AVAILABLE IN PALLET QUANTITY.**



JOB NAME:
LOCATION:
ARCHITECT:
ENGINEER:
CONTRACTOR:
CONTACT MIAMI TECH INC. FOR ADDITIONAL INFORMATION OR WITH SPECIAL REQUIREMENTS.
3611 NW 74TH ST MIAMI, FL 33147 PHONE: 305-693-7054 FAX: 305-693-6152
WEB: WWW.MIAMITECH.COM EMAIL: SALES@MIAMITECH.COM

**HEBKD**

**AIR HANDLER STAND, KNOCKED DOWN  
PRODUCT SPECIFICATIONS**

NOTE: ALL DRAWINGS SUBJECT TO CHANGE WITHOUT PRIOR NOTICE.



DRAWN BY: CG

DATE: 07/12/2010

SCALE: NOT TO SCALE

DRAWING NO. HEBKD

CHECKED BY: IV

DATE: 10/19/2010

REVISION: 3