



STANDARD CONSTRUCTION

BODY:
14 GAUGE ASTM A-653 HOT-DIPPED GALVANIZED STEEL SHEET

STANDARD SIZES:

MODEL	ADJUSTABLE WIDTH	DEPTH (D)
FR18N (NARROW)	14" - 25"	22"
FR18W (WIDE)	17" - 27"	22"

FEATURES

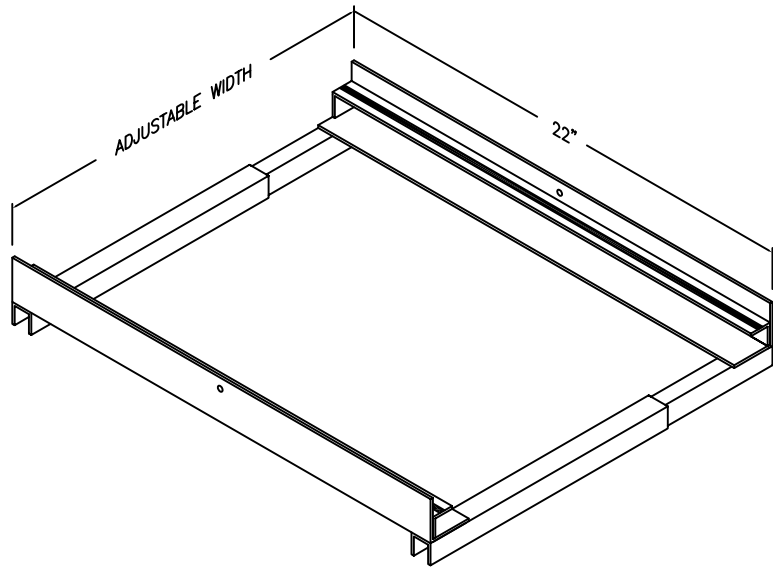
14 GAUGE GALVANIZED STEEL PROVIDES EXCELLENT CORROSION RESISTANCE AND LONGEVITY.

WELDED CONSTRUCTION FOR ADDED STRENGTH.

PRE-PUNCHED HOLES FOR EASY FASTENING TO AIR HANDLER OR BASE.

RUBBER STRIPS INCLUDED TO MINIMIZE VIBRATION.

OPTIONS: CUSTOM SIZES AVAILABLE.



JOB NAME:
LOCATION:
ARCHITECT:
ENGINEER:
CONTRACTOR:
CONTACT MIAMI TECH INC. FOR ADDITIONAL INFORMATION OR WITH SPECIAL REQUIREMENTS. 3611 NW 74TH ST MIAMI, FL 33147 PHONE: 305-693-7054 FAX: 305-693-6152 WEB: WWW.MIAMITECH.COM EMAIL: SALES@MIAMITECH.COM

FR

ADJUSTABLE FILTER RACK
PRODUCT SPECIFICATIONS



miami tech inc.

DRAWN BY: AF	DATE: 10/10/07	SCALE: NOT TO SCALE	DRAWING NO.
CHECKED BY: IG	DATE: 10/10/07	REVISION: IG	FR