



STANDARD CONSTRUCTION

BODY:
26 GAUGE ASTM A-653 HOT-DIPPED
GALVANIZED STEEL SHEET
INSULATED WITH R4 BOARD

STANDARD SIZES:

MODEL	WIDTH (W)	HEIGHT (H)	DEPTH (D)
FFRI17.5Y	17 7/8"	4 3/8"	21 7/8"
FFRI21Y	21 1/2"	4 3/8"	21 7/8"
FFRI24Y	24 7/8"	4 3/8"	21 7/8"
FFRI26Y	25 7/8"	4 3/8"	21 7/8"

FEATURES

26 GAUGE GALVANIZED STEEL PROVIDES EXCELLENT CORROSION RESISTANCE AND LONGEVITY.

SINGLE PIECE BODY CONSTRUCTION FOR ADDED STRENGTH.

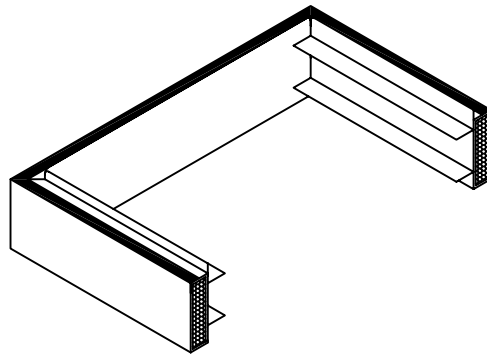
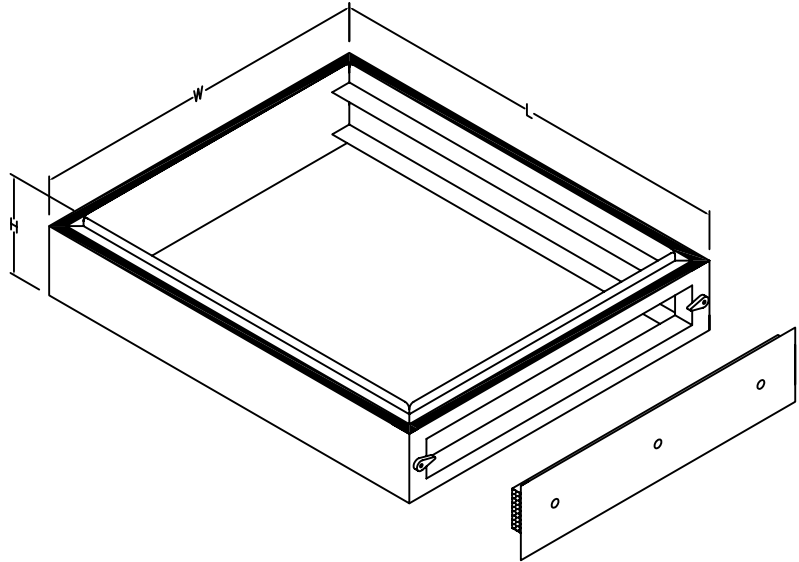
FILTER TRACK CAN BE CONVERTED TO ACCOMMODATE A 2" FILTER, OR A 1" FILTER PLUS A 1" UV LIGHT SYSTEM.

RUBBER STRIPS MINIMIZE VIBRATION.

FULLY REMOVABLE ACCESS DOOR FOR EASY MAINTENANCE.

1" HOG HAIR FILTER WITH REINFORCED WIRES INCLUDED.

OPTIONS: CUSTOM SIZES AVAILABLE.



JOB NAME:
LOCATION:
ARCHITECT:
ENGINEER:
CONTRACTOR:
CONTACT MIAMI TECH INC. FOR ADDITIONAL INFORMATION OR WITH SPECIAL REQUIREMENTS.
3611 NW 74TH ST MIAMI, FL 33147 PHONE: 305-693-7054 FAX: 305-693-6152
WEB: WWW.MIAMITECH.COM EMAIL: SALES@MIAMITECH.COM

FFRIXXY

**FIXED FILTER RACK FOR YORK
PRODUCT SPECIFICATIONS**

NOTE: ALL DRAWINGS SUBJECT TO CHANGE WITHOUT PRIOR NOTICE.



DRAWN BY: AV	DATE: 05/03/10	SCALE: NOT TO SCALE	DRAWING NO. FFRI-Y
CHECKED BY: IV	DATE: 05/03/10	REVISION: A	