



STANDARD CONSTRUCTION

MODEL	HEIGHT	DESCRIPTION	QTY
EWCMK-S	3 3/8"	16 gauge Steel Clips	8
		Tapcon Concrete Screw 1/4" X 1-3/4"	8
EWCMK-T	3 7/8"	16 gauge Steel Clips	8
		Tapcon Concrete Screw 1/4" X 1-3/4"	8

FEATURES

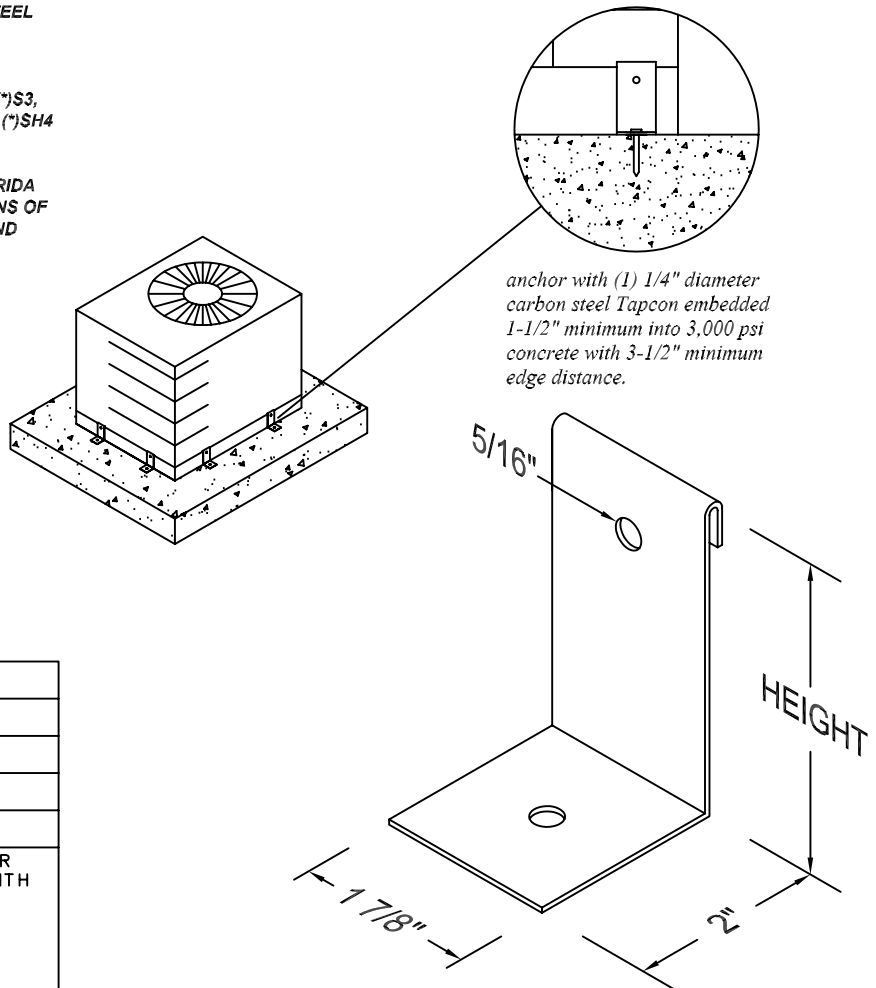
16 GAUGE ASTM-653 HOT-DIPPED GALVANIZED STEEL SHEET

DESIGNED TO ANCHOR NORDYNE SPLIT-SYSTEM, AIR-CONDITIONERS AND HEAT PUMPS (MODELS: (*)S3, (*)S4 (*)S5, (*)SA4 AC, AND (*)T3, (*)T4, (*)T5, (*)SH2, (*)SH4 HP, 1-5 TONS)

DESIGNED TO MEET THE REQUIREMENTS OF FLORIDA BUILDING CODE 2007 AND APPROPRIATE PORTIONS OF ASCE 7-05 REGARDING THE WIND RESISTANCE AND ANCHORING REQUIREMENTS FOR MECHANICAL EQUIPMENT IN FLORIDA HURRICANE ZONES.

HARDWARE FOR MOUNTING ON CONCRETE SLAB INCLUDED.

CUSTOM HEIGHT CLIPS AVAILABLE.



JOB NAME:
LOCATION:
ARCHITECT:
ENGINEER:
CONTRACTOR:
CONTACT MIAMI TECH INC. FOR ADDITIONAL INFORMATION OR WITH SPECIAL REQUIREMENTS.
3611 NW 74TH ST MIAMI, FL 33147 PHONE: 305-693-7054 FAX: 305-693-6152
WEB: WWW.MIAMITECH.COM EMAIL: SALES@MIAMITECH.COM

EWCMK

EXTREME WIND CONDITION MOUNTING KIT
PRODUCT SPECIFICATIONS

NOTE: ALL DRAWINGS SUBJECT TO CHANGE WITHOUT PRIOR NOTICE.



DRAWN BY: AV	DATE: 1/14/10	SCALE: NOT TO SCALE	DRAWING NO. EWCMK
CHECKED BY: IG	DATE: 2/5/10	REVISION: B	