



STANDARD CONSTRUCTION :

TOP WASHER 16 GAUGE PLATED STEEL
ROUND DAMPER 24/26 GAUGE GALVANIZED STEEL
LOWER WASHER 18 GAUGE PLATED STEEL

FEATURES:

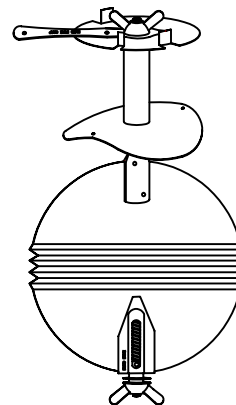
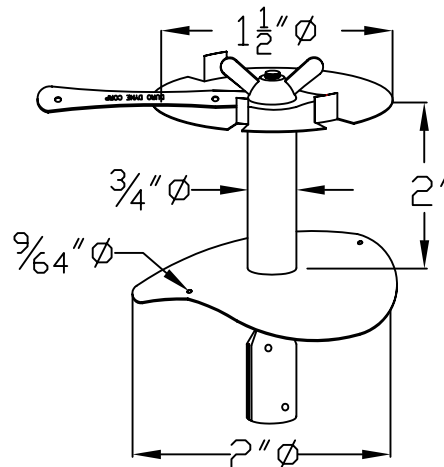
EQUIPPED W/ BUTTERFLY-NUTS TOP AND BOTTOM TO LOCK IN POSITION

METHODS OF INSTALLATION:

- 1) FACTORY INSTALLED: 9/64 " RIVETS
- 2) FIELD INSTALLED: #8 X 1/2" SHEET METAL SCREWS

STANDARD SIZES :

DA04-SOM	4"
DA05-SOM	5"
DA06-SOM	6"
DA07-SOM	7"
DA08-SOM	8"
DA09-SOM	9"
DA10-SOM	10"
DA12-SOM	12"
DA14-SOM	14"
DA16-SOM	16"
DA18-SOM	18"
DA20-SOM	20"



JOB NAME:
LOCATION:
ARCHITECT:
ENGINEER:
CONTRACTOR:
CONTACT MIAMI TECH INC. FOR ADDITIONAL INFORMATION OR WITH SPECIAL REQUIREMENTS. 3611 NW 74TH ST MIAMI, FL 33147 PHONE: 305-693-7054 FAX: 305-693-6152 WEB: WWW.MIAMITECH.COM EMAIL: SALES@MIAMITECH.COM

**DAMPER ASSEMBLY W/MTI STYLE
STAND OFF
PRODUCT SPECIFICATIONS**

NOTE: ALL DRAWINGS SUBJECT TO CHANGE WITHOUT PRIOR NOTICE.



DRAWN BY: AF	DATE: 03.03.2009	SCALE: NOT TO SCALE	DRAWING NO.
CHECKED BY: IV	DATE: 03.03.2009	REVISION: 01	DAXX-SOM