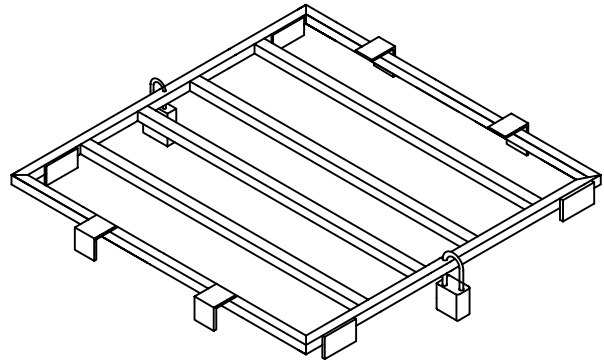


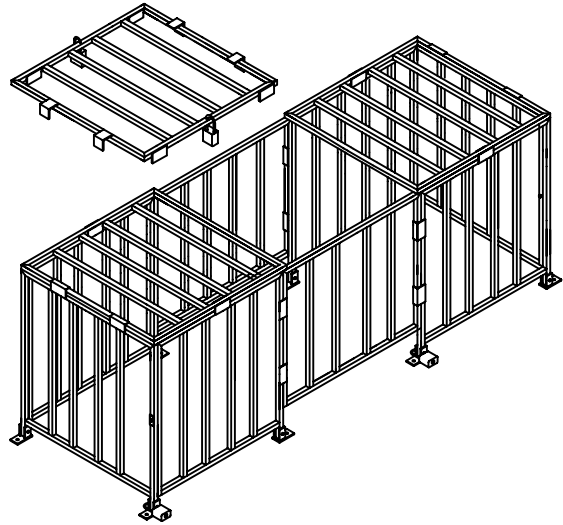
Standard Construction:
Material:

Galvanized Steel Tube 1"x 1"x $\frac{1}{16}$ " - 16 GA.
 Galvanized Steel Tube $\frac{13}{16}$ " x $\frac{13}{16}$ " x $\frac{1}{16}$ " - 16 GA.
 Stainless Steel Bolts (2) $\frac{3}{8}$ " x 2"
 Stainless Steel Bolt (1) $\frac{3}{8}$ " x $2\frac{1}{2}$ "
 2 - Key Alike Padlocks Included

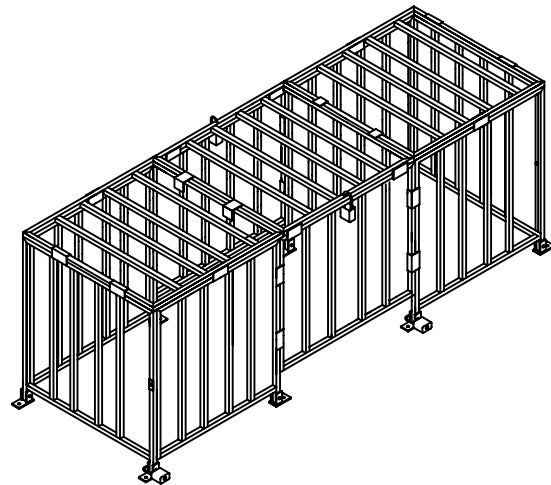

Features:

MIG Welded Construction
 Galvanized steel for long term resistance to elements.
 Powdercoated by DuPont 100% Polyester (CPC Gray Powder)

MODEL NUMBER	D	W	FOR USE WITH CUC MODEL
CUC3434EK	34"	34"	CUC383434 AND CUC503434
CUC4040EK	40"	40"	CUC504040


Description:

When used in conjunction with the two matching CUC models, the model CUCEK creates the equivalent interior space of three CUCs.



JOB NAME:
LOCATION:
ARCHITECT:
ENGINEER:
CONTRACTOR:
CONTACT MIAMI TECH INC. FOR ADDITIONAL INFORMATION OR WITH SPECIAL REQUIREMENTS. 3611 NW 74TH ST MIAMI, FL 33147 PHONE: 305-693-7054 FAX: 305-693-6152 WEB: WWW.MIAMITECH.COM EMAIL: SALES@MIAMITECH.COM

CUCEK

Condensing Unit Cage Extension Kit
 PRODUCT SPECIFICATIONS

NOTE: ALL DRAWINGS SUBJECT TO CHANGE WITHOUT PRIOR NOTICE.