



STANDARD CONSTRUCTION

MATERIALS DESCRIPTION

6061-T6 EXTRUDED ALUMINIUM
"F" TRACK : CUSTOM "F" TRACK RAIL
CROSS MEMBER FEMALE : 1"X1" SQUARE TUBE
CROSS MEMBER MALE : 3/4"X3/4" SQUARE TUBE
ANGLE SUPPORTS: 1/2"X1/2" ANGLE
LEGS: 1"X1" SQUARE TUBE
CAPS: 1" PLASTIC (POLYPROPYLENE)

OPTIONS:

CUSTOM SIZES AVAILABLE

STANDARD SIZES:

SIZE	HEIGHT (H)	DEPTH (D)	WIDTH (W)
AHEB1720N	17"	20"	14"-25"
AHEB1720W	17"	20"	17"-27"
AHEB1722N	17"	22"	14"-25"
AHEB1722W	17"	22"	17"-27"
AHEB1727N	17"	27"	14"-25"
AHEB1727W	17"	27"	17"-27"
AHEB2220N	20"	22"	14"-25"
AHEB2220W	20"	22"	17"-27"

FEATURES:

ALUMINIUM PROVIDES EXCELLENT CORROSION RESISTANCE.

1/8" X 3/8" RUBBER STRIPS INCLUDED TO MINIMIZE VIBRATION.

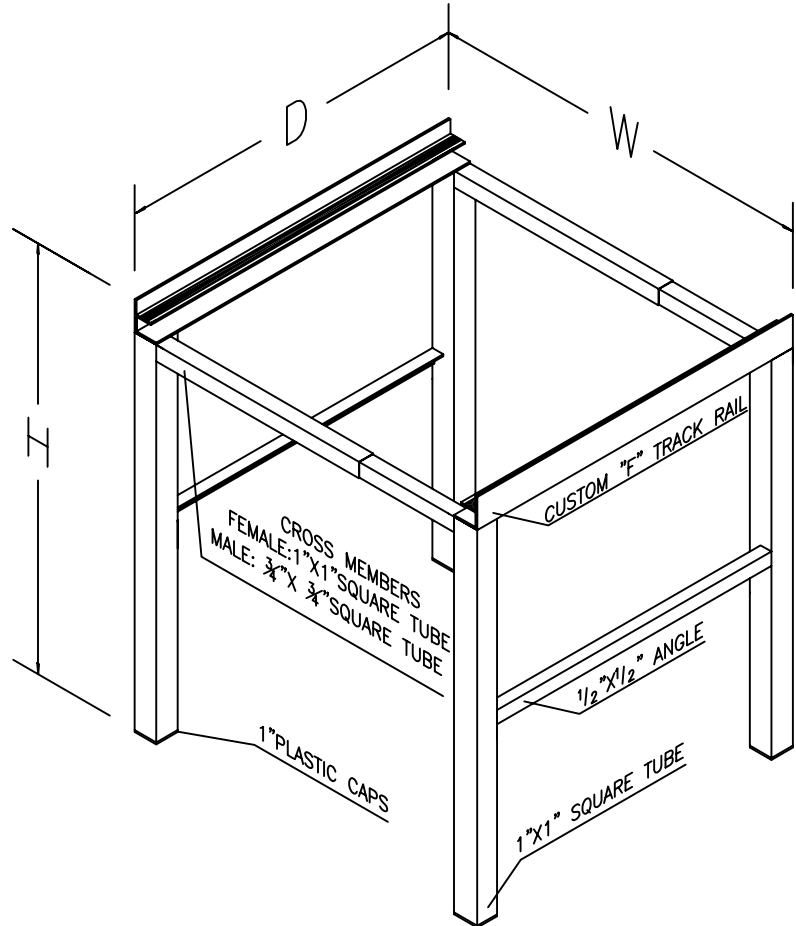
1" PLASTIC CAPS ON LOWER LEG OPENINGS.

UNIVERSAL DEPTH TO FIT MOST AIR HANDLER UNITS.

N: WIDTH ADJUSTABLE FROM 14" - 25"

W: WIDTH ADJUSTABLE FROM 17" - 25"

AVAILABLE IN PALLET QUANTITY OF 25



JOB NAME:
LOCATION:
ARCHITECT:
ENGINEER:
CONTRACTOR:
CONTACT MIAMI TECH INC. FOR ADDITIONAL INFORMATION OR WITH SPECIAL REQUIREMENTS.
3611 NW 74TH ST MIAMI, FL 33147 PHONE: 305-693-7054 FAX: 305-693-6152
WEB: WWW.MIAMITECH.COM EMAIL: SALES@MIAMITECH.COM

AHEB

ALUMINIUM AIR HANDLER STAND
PRODUCT SPECIFICATIONS

NOTE: ALL DRAWINGS SUBJECT TO CHANGE WITHOUT PRIOR NOTICE.



DRAWN BY: AF	DATE: 01/07/2009	SCALE: NOT TO SCALE	DRAWING NO.
CHECKED BY: IV	DATE: 01/07/2009	REVISION: 01	AHEB