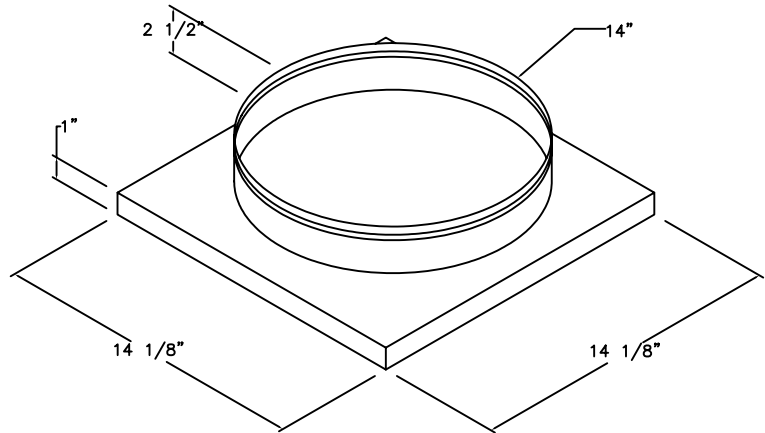


STANDARD CONSTRUCTION

26 GAUGE ASTM A-653 HOT -DIPPED GALVANIZED STEEL

COLLAR: 26 GAUGE HOT DIPPED GALVANIZED STEEL

INSULATION:
1"-R4 BLACK DIFFUSER BOARD



SUPPLY AIR ADAPTER

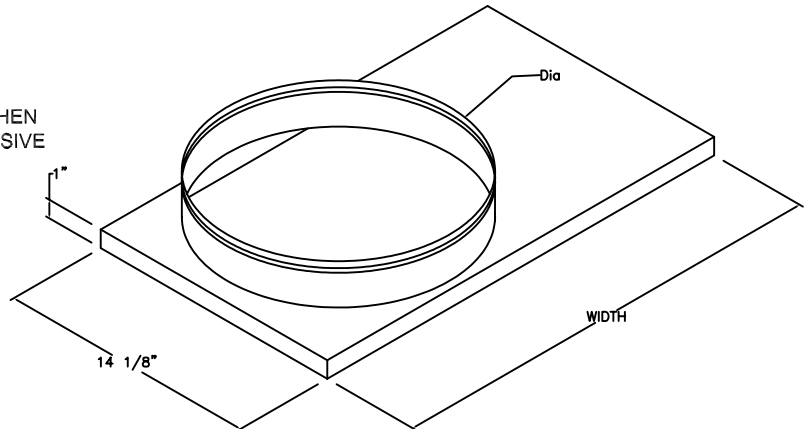
STANDARD SIZES:

MODEL	SUPPLY AIR ADAPTER (HxWxDia)	RETURN AIR ADAPTER (HxWxDia)
667PCH 2	14 1/8" x 14 1/8" x 14"	14 1/8" x 22 1/8" x 14"
667PCH 3	14 1/8" x 14 1/8" x 14"	14 1/8" x 24 1/8" x 14"
667PCH 5	14 1/8" x 14 1/8" x 14"	14 1/8" x 24 1/8" x 18" (oval)

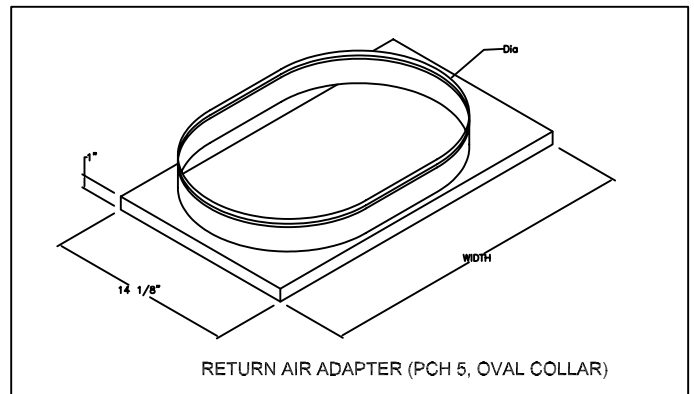
FEATURES

COLLAR INSTALLED WITH EXPANSION LOCK AND THEN SEALED AIR TIGHT WITH PARABOND ALUMINUM ADHESIVE

BLACK DIFFUSER BOARD COATED WITH EPA-REGISTERED, ANTI-MICROBIAL, PROTECTIVE ACRYLIC AGENT ALONG AIR STREAM SIDE. SOLD IN SETS (SUPPLY/RETURN).



RETURN AIR ADAPTER



RETURN AIR ADAPTER (PCH 5, OVAL COLLAR)

JOB NAME:
LOCATION:
ARCHITECT:
ENGINEER:
CONTRACTOR:
<p>CONTACT MIAMI TECH INC. FOR ADDITIONAL INFORMATION OR WITH SPECIAL REQUIREMENTS.</p> <p>3611 NW 74TH ST MIAMI, FL 33147 PHONE: 305-693-7054 FAX: 305-693-6152</p> <p>WEB: WWW.MIAMITECH.COM EMAIL: SALES@MIAMITECH.COM</p>

667PCH

GOODMAN TAKE-OFF COLLAR FOR PACKAGE-UNIT

PRODUCT SPECIFICATIONS

NOTE: ALL DRAWINGS SUBJECT TO CHANGE WITHOUT PRIOR NOTICE.

DRAWN BY: AF	DATE: 01/06/2009	SCALE: NOT TO SCALE	DRAWING NO. 667PCH
CHECKED BY: IV	DATE: 7/19/2011	REVISION: 02	