



UNDERWRITERS LABORATORIES INC.
555 CLASSIFIED
PRIMARY FIRE DAMPER
FILE NO. R10967

PARTS:

1. BLADES
(22 GAUGE ASTM A-653 HOT-DIPPED GALVANIZED STEEL SHEET)
2. UL LISTED FUSIBLE LINK
(165F STANDARD, 212F OPTIONAL)
3. FRAME
(22 GAUGE ASTM A-653 HOT-DIPPED GALVANIZED STEEL SHEET)
4. CERAMIC THERMAL BLANKET
(REQUIRED ON 9" DIAMETER AND ABOVE, NON-ASBESTOS)
5. SPRING
(TEMPERED STAINLESS STEEL)

FEATURES:

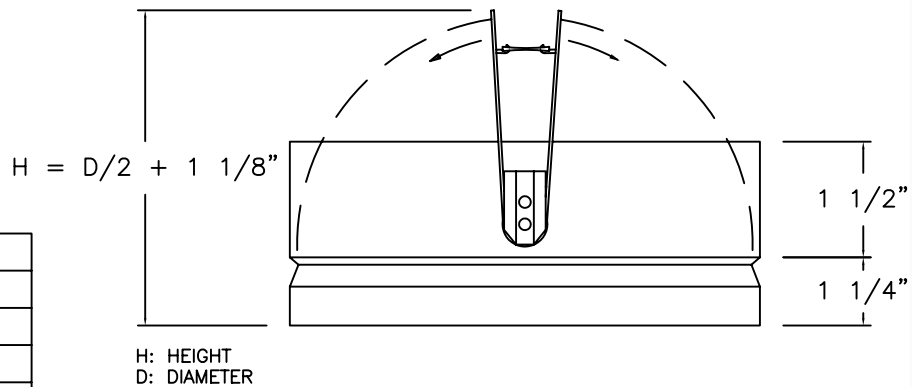
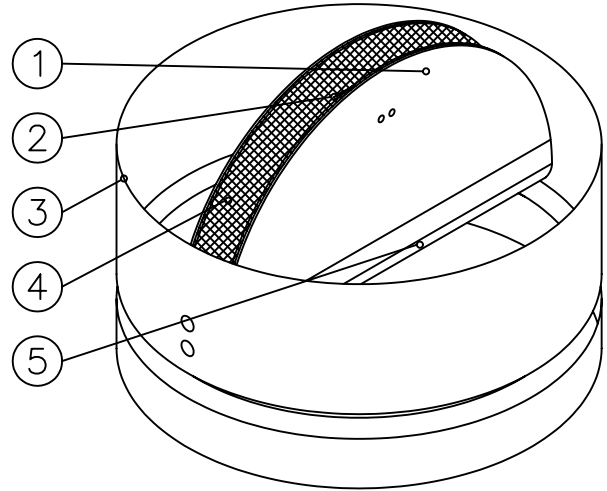
UL FIRE RATED FLOOR/CEILING AND ROOF/CEILING ASSEMBLIES REQUIRE SPECIFICALLY TESTED AND CLASSIFIED CEILING DAMPERS (ALSO KNOWN AS CEILING FIRE DAMPERS OR HEAT RADIATION DAMPERS) TO PROVIDE PROPER PROTECTION WHERE HVAC COMPONENTS PENETRATE THE CEILING MEMBRANE. STANDARD PRIMARY FIRE DAMPERS (1 1/2 AND 3 HOUR) DO NOT PROVIDE THE NECESSARY FIRE AND HEAT PROTECTION.

UL CLASSIFIED MODEL 616 CEILING DAMPER MAY BE SUBSTITUTE FOR EACH 113 SQ. IN. OR LARGER STEEL DUCT OUTLET PROTECTED WITH A HINGED SHEET METAL DAMPER IN ANY FLOOR/CEILING OR ROOF/CEILING DESIGN WITH A RESTRAINED OR UNRESTRAINED ASSEMBLY RATING OF 3 HOURS OR LESS.

THERMAL BARRIER SUPPLIED ON UNITS LARGER THAN 70 SQ. IN. SMALLER SIZES DO NOT REQUIRE A THERMAL BARRIER ON THE BLADES.

4" MINIMUM / 24" MAXIMUM DIAMETER,

OPTIONS: CUSTOM SIZES AVAILABLE



JOB NAME:
LOCATION:
ARCHITECT:
ENGINEER:
CONTRACTOR:
CONTACT MIAMI TECH INC. FOR ADDITIONAL INFORMATION OR WITH SPECIAL REQUIREMENTS.
3611 NW 74TH ST MIAMI, FL 33147 PHONE: 305-693-7054 FAX: 305-693-6152
WEB: WWW.MIAMITECH.COM EMAIL: SALES@MIAMITECH.COM

616

ROUND CEILING FIRE DAMPER
PRODUCT SPECIFICATIONS

NOTE: ALL DRAWINGS SUBJECT TO CHANGE WITHOUT PRIOR NOTICE.



miami tech inc.

DRAWN BY: AF	DATE: 11/12/07	SCALE: NOT TO SCALE	DRAWING NO. 616
CHECKED BY: AV	DATE: 10/7/10	REVISION: 2	