



UNDERWRITERS LABORATORIES INC.  
555 CLASSIFIED  
PRIMARY FIRE DAMPER  
FILE NO. R10250

THE CITY OF NEW YORK 909-89-SM  
CALIFORNIA STATE FIRE MARSHALL 3225-1382:100

**PARTS:**

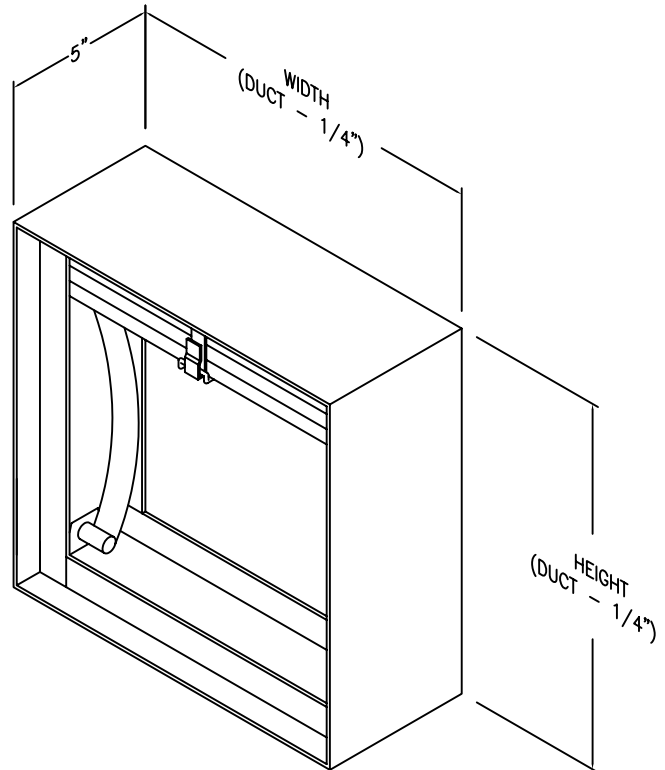
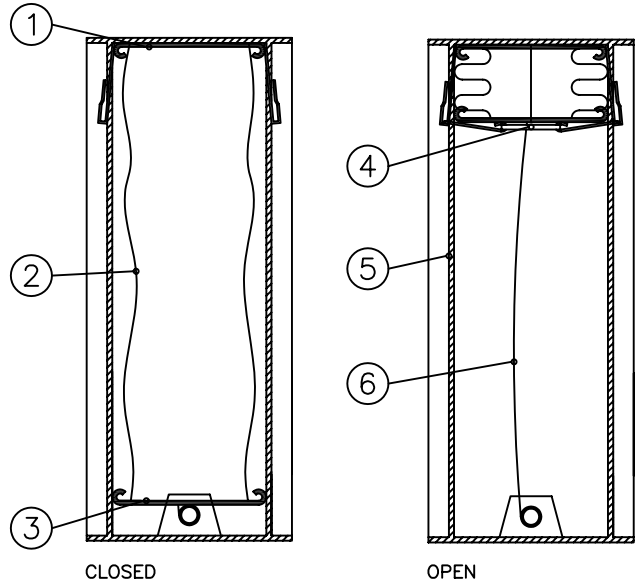
- 1. TOP BLADE  
(RIVETED TO FRAME)
- 2. CLOTH CURTAIN  
(ALUMINUM IMPREGNATED FIBERGLASS CLOTH)
- 3. BOTTOM BLADE
- 4. UL LISTED FUSIBLE LINK  
(165°F STANDARD, 212°F OPTIONAL)
- 5. FRAME  
(22 GAUGE ASTM A-653 HOT-DIPPED GALVANIZED STEEL SHEET)
- 6. STAINLESS STEEL CLOSURE SPRING  
(TEMPERED STAINLESS STEEL)

**FEATURES:**

UL FIRE RATED FLOOR/CEILING AND ROOF/CEILING ASSEMBLIES REQUIRE SPECIFICALLY TESTED AND CLASSIFIED CEILING DAMPERS (ALSO KNOWN AS CEILING FIRE DAMPERS OR HEAT RADIATION DAMPERS) TO PROVIDE PROPER PROTECTION WHERE HVAC COMPONENTS PENETRATE THE CEILING MEMBRANE. STANDARD PRIMARY FIRE DAMPERS (1 1/2 AND 3 HOUR) DO NOT PROVIDE THE NECESSARY FIRE AND HEAT PROTECTION.

UL CLASSIFIED MODEL 253 CEILING DAMPER MAY BE SUBSTITUTE FOR EACH 113 SQ. IN. OR LARGER STEEL DUCT OUTLET PROTECTED WITH A HINGED SHEET METAL DAMPER IN ANY FLOOR/CEILING OR ROOF/CEILING DESIGN WITH A RESTRAINED OR UNRESTRAINED ASSEMBLY RATING OF 3 HOURS OR LESS.

6" X 6" MINIMUM / 14" X 14" MAXIMUM



JOB NAME:
LOCATION:
ARCHITECT:
ENGINEER:
CONTRACTOR:

CONTACT MIAMI TECH INC. FOR ADDITIONAL INFORMATION OR WITH SPECIAL REQUIREMENTS.

3611 NW 74TH ST  
MIAMI, FL 33147  
PHONE: 305-693-7054 FAX: 305-693-6152

WEB: WWW.MIAMITECH.COM  
EMAIL: SALES@MIAMITECH.COM

**253**

SQUARE AND RECTANGULAR CEILING FIRE DAMPER  
PRODUCT SPECIFICATIONS

NOTE: ALL DRAWINGS SUBJECT TO CHANGE WITHOUT PRIOR NOTICE.



**miami tech inc.**

DRAWN BY: AF	DATE: 11/21/07	SCALE: NOT TO SCALE	DRAWING NO.
CHECKED BY: IG	DATE: 11/21/07	REVISION: 1	253