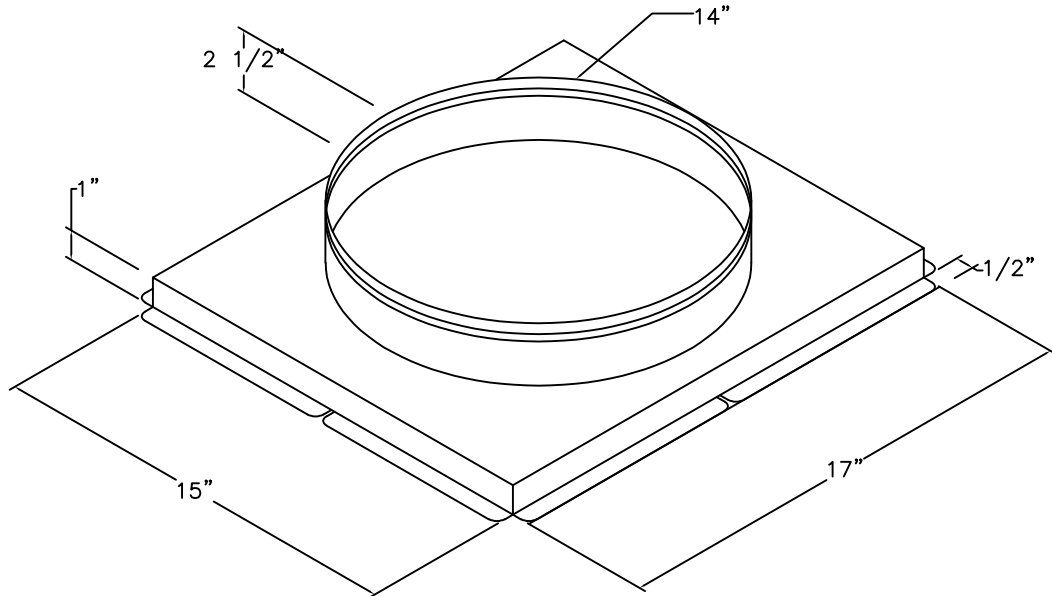


STANDARD CONSTRUCTION

26 GAUGE ASTM A-653 HOT -DIPPED GALVANIZED STEEL

COLLAR: 26 GAUGE HOT DIPPED GALVANIZED STEEL

 INSULATION:
 1"-R4 BLACK DIFFUSER BOARD

 OPTIONS:
 CUSTOM SIZES AVAILABLE

FEATURES

COLLAR INSTALLED WITH EXPANSION LOCK AND SEALED TIGHT WITH ADHESIVE.

BLACK DIFFUSER BOARD COATED WITH EPA-REGISTERED, ANTI-MICROBIAL, PROTECTIVE ACRYLIC AGENT ALONG AIR STREAM SIDE.

SUPPLY/RETURN SOLD SEPARATELY.

JOB NAME:
LOCATION:
ARCHITECT:
ENGINEER:
CONTRACTOR:
CONTACT MIAMI TECH INC. FOR ADDITIONAL INFORMATION OR WITH SPECIAL REQUIREMENTS. 3611 NW 74TH ST MIAMI, FL 33147 PHONE: 305-693-7054 FAX: 305-693-6152 WEB: WWW.MIAMITECH.COM EMAIL: SALES@MIAMITECH.COM

JCITCPU14
**JCI/YORK TAKE-OFF COLLAR FOR PACKAGE-UNIT
 PRODUCT SPECIFICATIONS**

NOTE: ALL DRAWINGS SUBJECT TO CHANGE WITHOUT PRIOR NOTICE.

DRAWN BY:	MR	DATE:	7/13/23	SCALE:	NOT TO SCALE	DRAWING NO.	JCITCPU14
CHECKED BY:	IG	DATE:	7/13/23	REVISION:	-		