



STANDARD CONSTRUCTION

MATERIAL:
26 GAUGE ASTM A-653 HOT-DIPPED GALVANIZED STEEL SHEET

STANDARD SIZES:

| MODEL | LENGTH | WIDTH | GAUGE | QTY. |
|--------|--------|--------|-------|------|
| WS4510 | 10" | 3 1/4" | 26 | 1 |
| WS4512 | 12" | 3 1/4" | 26 | 1 |
| WS4514 | 14" | 3 1/4" | 26 | 1 |

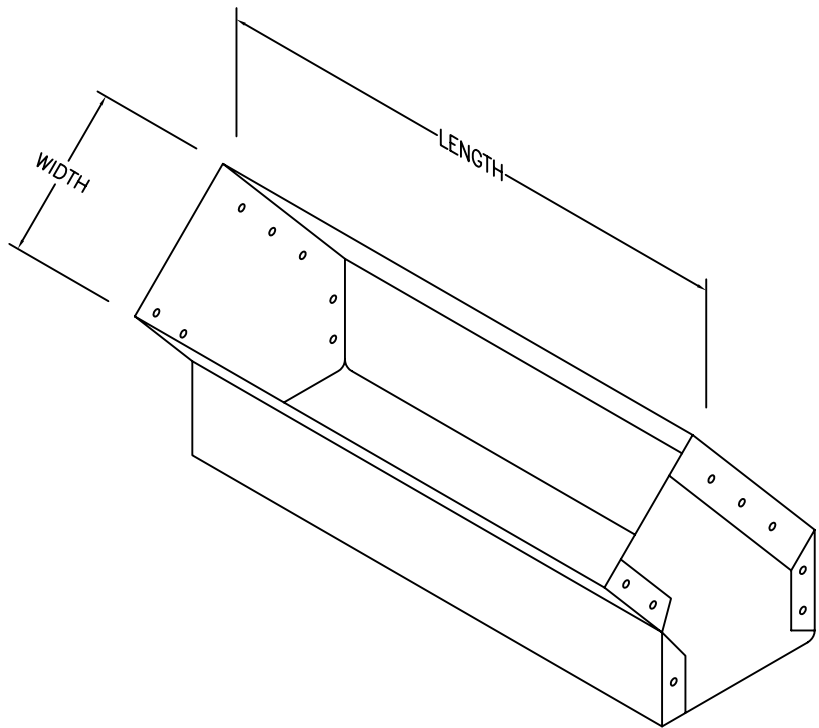
FEATURES

GALVANIZED STEEL PROVIDES EXCELLENT CORROSION RESISTANCE AND LONGEVITY.

RIVETED BODY CREATES STRONG, PERMANENT SEAMS.

45 DEGREE ANGLE.

OPTIONS: CUSTOM SIZES AVAILABLE.



| |
|---|
| JOB NAME: |
| LOCATION: |
| ARCHITECT: |
| ENGINEER: |
| CONTRACTOR: |
| CONTACT MIAMI TECH INC. FOR ADDITIONAL INFORMATION OR WITH SPECIAL REQUIREMENTS. 3611 NW 74TH ST MIAMI, FL 33147 PHONE: 305-693-7054 FAX: 305-693-6152 WEB: WWW.MIAMITECH.COM EMAIL: SALES@MIAMITECH.COM |

WS45

WALL STACK FITTING 45 DEGREE
PRODUCT SPECIFICATIONS

NOTE: ALL DRAWINGS SUBJECT TO CHANGE WITHOUT PRIOR NOTICE.



| | | |
|----------------|----------------|---------------------|
| DRAWN BY: AF | DATE: 10/31/07 | SCALE: NOT TO SCALE |
| CHECKED BY: IG | DATE: 10/31/07 | REVISION: 1 |

DRAWING NO. WS45