



SRA, MRA, LRA, XRA, JRA SRK, MRK, LRK, XRK, JRK

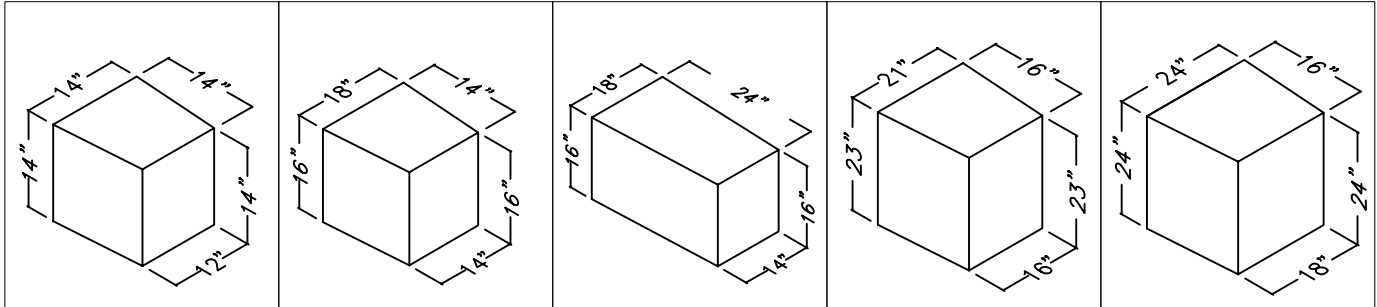
SRA/SRK

MRA/MRK

LRA/LRK

XRA/XRK

JRA/JRK



NOTE: DIAGRAMS SHOW OUTSIDE DIMENSIONS.

MIAMI TECH'S FIBERGLASS REDUCER BOXES COME IN A VARIETY OF DIMENSIONS TO BEST SUIT THE NEEDS OF THE JOB. THESE BOXES ARE MADE OF 1 1/2" THICK R6 FIBERGLASS INSULATION WITH A FSK (FOIL BARRIER). ALL MODELS ARE AVAILABLE AS PRE-CONSTRUCTED OR UNFOLDED UNITS. UNFOLDED UNITS CAN BE BUILT QUICKLY AND REQUIRE ONLY TAPE TO FASTEN THEM. DUCT OPENINGS CAN BE EASILY CUT WITH A UTILITY KNIFE.

REDUCER BOXES: ASSEMBLED

PART NO.	SIZE	LARGE SIDE (OUTSIDE DIMENSIONS)	SMALL SIDE (OUTSIDE DIMENSIONS)	LENGTH (OUTSIDE DIMENSIONS)	PKG. QUANTITY
SRA	SMALL	14" X 14"	14" X 12"	14"	6
MRA	MEDIUM	16" X 18"	16" X 14"	14"	6
LRA	LARGE	16" X 18"	16" X 14"	24"	1
XRA	EXTRA LARGE	24" X 21"	24" X 16"	16"	1
JRA	JUMBO SIZE	24" X 24"	24" X 18"	16"	1

REDUCER BOXES: KNOCKED DOWN

PART NO.	SIZE	LARGE SIDE (OUTSIDE DIMENSIONS)	SMALL SIDE (OUTSIDE DIMENSIONS)	LENGTH (OUTSIDE DIMENSIONS)	PKG. QUANTITY
SRK	SMALL	14" X 14"	14" X 12"	14"	12
MRK	MEDIUM	16" X 18"	16" X 14"	14"	8
LRK	LARGE	16" X 18"	16" X 14"	24"	8
XRK	EXTRA LARGE	24" X 21"	24" X 16"	16"	8
JRK	JUMBO SIZE	24" X 24"	24" X 18"	16"	8

SRA, MRA, LRA, XRA, JRA SRK, MRK, LRK, XRK, JRK

FIBERGLASS REDUCER BOXES
PRODUCT DESCRIPTION

NOTE: ALL DRAWINGS SUBJECT TO CHANGE WITHOUT PRIOR NOTICE.



DRAWN BY:	AF	DATE:	08/02/07	SCALE:	NOT TO SCALE
CHECKED BY:	IG	DATE:	5/20/20	REVISION:	D

DRAWING NO. **RA/RK01**