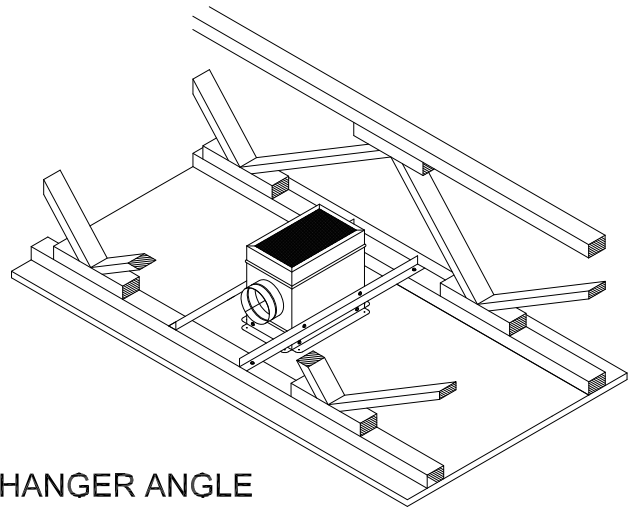


**BOOTCLIP
INSTALLATION**



**HANGER ANGLE
INSTALLATION**



UNDERWRITERS LABORATORIES INC.
555 CLASSIFIED
PRIMARY FIRE DAMPER
FILE NO. R10967

INSTRUCTIONS:

1. Before installing Damper CRDS, open the blades and hook the fusible link over the link catch on the opposite blade.
2. Damper can be supported with two standard 26ga boot clips snapped securely onto two flanges on opposite sides of the damper assembly. The boot clip shall be fastened at each end to the underside of the trusses with minimum #6 common nails or #8 wood screws, 2" long (min). Only one connection per end required, OR
3. Damper can be supported by 1"x1" 26ga hanger angles. Measure the actual truss centers and add approx 6" to determine straight angle lengths. (2) required per box. Establish the location of the gypsum flange and fasten the (2) hangers to the box with (2) minimum #8 x 3/4" sheet metal screws or 3/16" dia rivets for each hanger angle, and attach each end of each angle to the top side of the trusses with minimum #6 common nails or #8 wood screws, 2" long (min), OR
4. Damper can be supported with standard 26ga RC channel, either existing or user-installed. For flange to RC channel joint min (2) #8 x 3/4" SMS, and RC channel to truss/joist attachment min (1) #8x2" min wood screw on each end of each RC channel.
5. Grille, register or diffuser (aluminum or steel) to be attached to the ceiling damper box using a minimum of two #6 x 2" long sheet metal screws.
6. As an option, the register box can be ordered with an extended length drywall flange.

IMPORTANT: bolts, rivets, screws, etc., used to install the damper or grille **MUST NOT INTERFERE WITH DAMPER BLADE OPERATION.**

**CRDS
CEILING RADIATION DAMPER - SIDE OUTLET
INSTALLATION INSTRUCTIONS**



DRAWN BY: AV	DATE: 8/5/2013	SCALE: NOT TO SCALE	DRAWING NO. CRDS-IOM
CHECKED BY: IG	DATE:	REVISION: A	