



**STANDARD CONSTRUCTION**

BODY:  
30 GAUGE HOT-DIPPED GALVANIZED STEEL SHEET

INSULATION:  
R4.2 OR R6 BLACK DIFFUSER BOARD

OPTIONS:  
AVAILABLE 11 1/2" TALL  
W/FLANGE (R4/R6SRB)  
CUSTOM SIZES AVAILABLE

**STANDARD SIZES:**

| W  | X | H  | X | D |
|----|---|----|---|---|
| 6  | X | 4  | X | 4 |
| 6  | X | 6  | X | 4 |
| 6  | X | 6  | X | 5 |
| 6  | X | 6  | X | 6 |
| 8  | X | 4  | X | 4 |
| 8  | X | 4  | X | 5 |
| 8  | X | 8  | X | 7 |
| 8  | X | 8  | X | 8 |
| 10 | X | 10 | X | 7 |
| 12 | X | 6  | X | 6 |
| 12 | X | 6  | X | 7 |
| 12 | X | 8  | X | 7 |
| 12 | X | 8  | X | 8 |
| 12 | X | 12 | X | 8 |
| 14 | X | 6  | X | 6 |
| 14 | X | 6  | X | 7 |
| 14 | X | 8  | X | 7 |
| 14 | X | 8  | X | 8 |
| 14 | X | 14 | X | 7 |
| 14 | X | 14 | X | 8 |
| 16 | X | 8  | X | 7 |
| 16 | X | 8  | X | 8 |
| 16 | X | 16 | X | 7 |
| 16 | X | 16 | X | 8 |
| 18 | X | 18 | X | 7 |
| 18 | X | 18 | X | 8 |
| 24 | X | 24 | X | 7 |

**FEATURES**

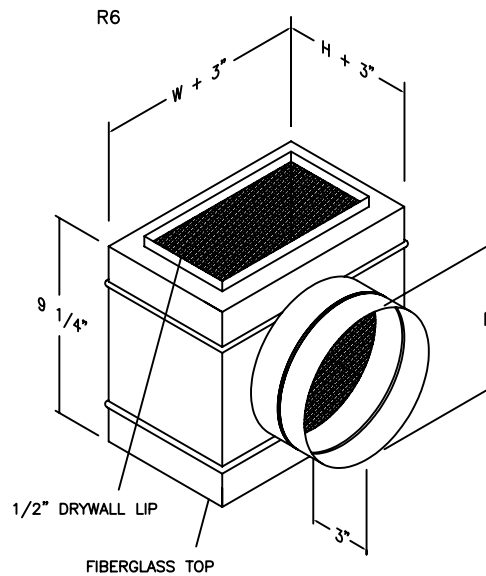
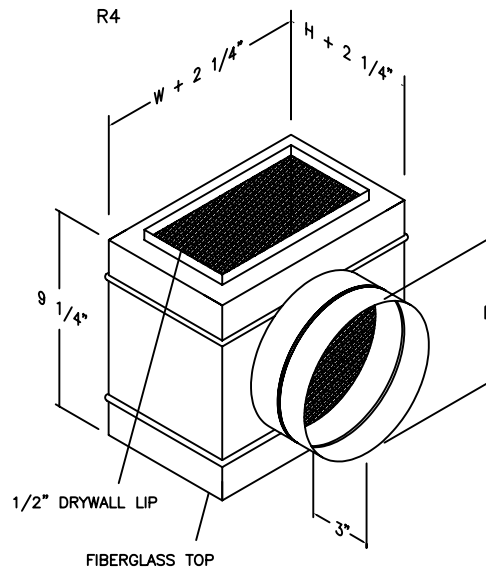
DESIGN INCLUDES 1/2" DRYWALL LIP.

OPENING 1/4" OVERSIZED TO ACCOMMODATE REGISTER/GRILLE.

COLLAR INSTALLED WITH EXPANSION LOCK AND THEN SEALED AIR-TIGHT.

DUAL BEAD BOX DESIGN FOR ADDED STRENGTH.

BLACK DIFFUSER BOARD COATED WITH EPA-REGISTERED, ANTI-MICROBIAL, PROTECTIVE ACRYLIC AGENT ALONG AIR STREAM SIDE.



|  |
|--|
| JOB NAME:  |
| LOCATION:  |
| ARCHITECT:   |
| ENGINEER:  |
| CONTRACTOR:  |
| CONTACT MIAMI TECH INC. FOR ADDITIONAL INFORMATION OR WITH SPECIAL REQUIREMENTS. |
| 3611 NW 74TH ST<br>MIAMI, FL 33147<br>PHONE: 305-693-7054 FAX: 305-693-6152      |
| WEB: WWW.MIAMITECH.COM<br>EMAIL: SALES@MIAMITECH.COM                             |

**R4/R6SRBU**

SIDE OUTLET

UNFLANGED REGISTER BOX WITH COLLAR  
PRODUCT SPECIFICATIONS

NOTE: ALL DRAWINGS SUBJECT TO CHANGE WITHOUT PRIOR NOTICE.



|                |                |                     |                      |
|----------------|----------------|---------------------|----------------------|
| DRAWN BY: JR   | DATE: 07/14/06 | SCALE: NOT TO SCALE | DRAWING NO. R4R6SRBU |
| CHECKED BY: IG | DATE: 07/14/06 | REVISION: 1         |                      |