

**STANDARD CONSTRUCTION**

**FRAME:**  
6063T5 EXTRUDED ALUMINUM  
NOMINAL WALL THICKNESS OF 0.081"  
UNIVERSAL C-CHANNEL FRAME

**BLADES:**  
6063T5 EXTRUDED ALUMINUM  
NOMINAL WALL THICKNESS OF 0.081"  
SPACED AT APPROX. 6" CENTERS

**BEARINGS:**  
PERMANENTLY LUBRICATED OILITE BRONZE, PRESS  
FIT INTO FRAME

**OPERATOR SHAFT:**  
1/2" DIAMETER PLATED STEEL SHAFT EXTENDS  
3" OR 6" PAST FRAME.

**FINISH :**  
MILL ALUMINUM

**MINIMUM SIZE:**  
12" W X 12" H

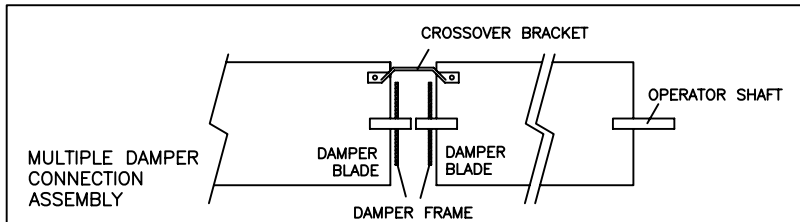
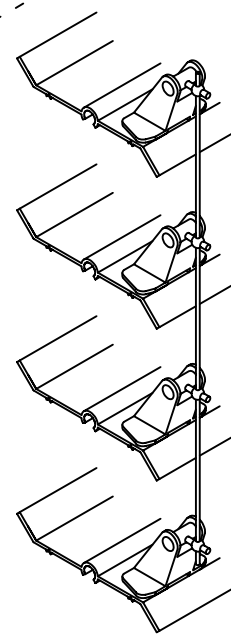
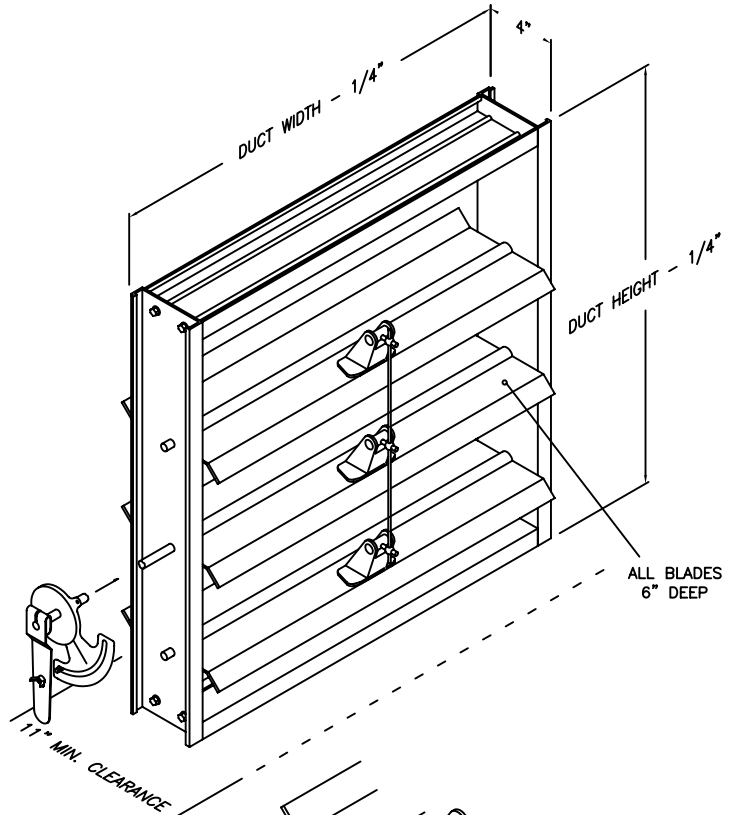
**MAXIMUM DAMPER SIZE:**  
SINGLE: 48" W X 60" H  
MULTIPLE HORIZONTAL: 96" W X 60" H  
MULTIPLE VERTICAL: 48" W X 120" H

**OPTIONS:**  
MOTOR MOUNTING (FACTORY FURNISHED OR BY OTHERS)  
1/2" DIAMETER OPERATOR (EXTENDS 6" BEYOND FRAME)

**FEATURES**

HEAVY EXTRUDED ALUMINUM PROVIDES SUPERIOR  
DURABILITY AND RESISTS CORROSION.

SOLID HARDWARE ALLOWS SMOOTH OPERATION.



JOB NAME:	
LOCATION:	
ARCHITECT:	
ENGINEER:	
CONTRACTOR:	
CONTACT MIAMI TECH INC. FOR ADDITIONAL INFORMATION OR WITH SPECIAL REQUIREMENTS.	
3611 NW 74 ST MIAMI, FL 33147	
PHONE: 305-693-7054	FAX: 305-693-6152
WEB: WWW.MIAMITECH.COM EMAIL: SALES@MIAMITECH.COM	

**PBD**

PARALLEL BLADE DAMPER  
PRODUCT SPECIFICATIONS

NOTE: ALL DRAWINGS SUBJECT TO CHANGE WITHOUT PRIOR NOTICE.

DRAWN BY: AF	DATE: 12/13/07	SCALE: NOT TO SCALE	DRAWING NO. AC101-B
CHECKED BY: IG	DATE: 10/20/2010	REVISION: IG	