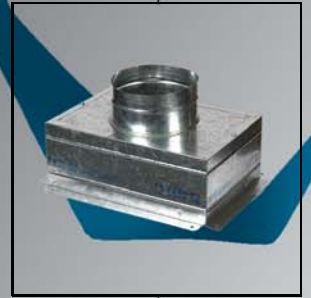


2013-2014



Metal Products



Miami Tech, Inc. was established in 1987 in a small warehouse offering just a handful of products. Today, Miami Tech spans over 135,000 square feet of manufacturing and warehousing space in our three facilities located in Miami, Florida, with over 12,700 components in our product lines to offer.

Miami Tech continuously designs, builds, and implements new methods of manufacturing, bringing quality, efficiency and mass production to the industry. We continue to operate on the cutting edge with fully automated production lines and CNC laser cutting technology, ensuring consistent quality of our products. Always striving to be ahead of the competition, we are constantly innovating new designs and product lines as well as offering swift and versatile processing of custom requests to cater to every last one of our customers' needs. We work tirelessly to improve the products themselves, redesigning them based on you and your customers' feedback.

At our new, efficient Miami Tech, Inc. Distribution Center, we build to stock and ship from inventory. When we receive an order it can be filled and shipped within forty-eight hours and in most cases the same day. You won't have to wait the industry standard lead time of two to three weeks for your order. You can count on our friendly and knowledgeable customer service representatives to get it right so you can receive your orders on time. As one of the leading manufacturers in the HVAC industry, we strive to be the best, setting new standards in quality, service and price.

Miami Tech, Inc. is Quality and Service.



Toll Free (800) 339-2290

Terms and Conditions of Sale

1. Terms 1%-10days, Net 30 days. Add 1 1/2% per month service charge on all delinquent accounts.
2. All prices and/or designs subject to change without notice.
3. All claims for shortage, damage, etc., must be made within 24 hours from date of shipment. For LTL shipments and truck loads, discrepancies must be noted on bill of lading.

Return Policy

1. No returned merchandise will be accepted without prior approval from Miami Tech Inc.
2. No returns after 60 days.
3. No returns on special or non-stock items.
4. Returned merchandise will be subject to a 20% restocking charge.

Freight Policy

1. Freight is paid on a minimum order of \$1,500.00 net for -Florida (except Panhandle).
2. Freight is paid on a minimum order of \$3,000.00 net for Florida Panhandle.
3. Freight is paid on a minimum order of \$3,000.00 net for Alabama, Georgia, North Carolina and South Carolina.
4. For States not listed, orders will be addressed on a case by case basis.

Sales Policy

1. Minimum invoice charge is \$50.00.
2. Minimum order of \$100.00 net for local delivery.
3. Broken box charge: additional 25%.

Special Sizes

If a particular size is not listed within our catalog, please do not hesitate to ask.
We are able to manufacture most sizes if given specifications.

Warranty

MIAMI TECH INC., warrants that the products & fittings it manufactures are produced in accordance with the standards and specifications shown in its catalog. No warranty of suitability for any particular purpose, nor any other presentation or warranty, whether expressed or implied, is made respecting these products.

Miami Tech Inc.
3611 N.W. 74 St., Miami FL 33147 Ph: (305) 693-7054 Fax: (305) 693-6152
www.miamitech.com



Please fax your orders to (305) 693-6152 or by email: orders@miamitech.com
Visit our sister company, Grille Tech Inc., at www.grilletechinc.com

TABLE OF CONTENTS

Air Conditioning Accessories

Aluminum Z-Bars	.5
Can Stock	.5
Boot Rails	.5
Boot Clips	.6
Heat Shields/Collar Start	.6
Drive Cleats	.6
Flat S-Locks	.7
Standing S-Locks	.7
Condensing Unit Tie Downs	.7
Duct Grille Clips	.8
Slotted Angle Iron	.8
Air-Handler Brackets	.8
Duct Hanging Straps	.9
Fiberglass Duct Support/Saddles	.9
Sheet Metal Frames	.9
U-Channels	.10
Refrigerant Line Covers	.10
Register Take-Offs	.11
Mixing Box Brackets	.11
Nail Plates	.11

Stands

Fixed Filter Racks	.12
Trane/American Standard Filter Racks	.13
Adjustable Filter Rack & A/H Wall Brackets	.14
Trane/American Standard Stands	.15
Trane/American Standard Stand Sound Baffle Kit	.15
Trane/American Standard Side Return Kit	.15
Model HAB Stands	.16
Model HEB Stands	.17
Model AHEB Stands	.18
Model UHB Stands	.19
Aluminum Condensing Unit Wall-Mount Brackets	.20
Aluminum Pipe Stands	.20
Aluminum Condensing Unit Stands	.21
Condensing Unit Cages	.22

Collars & Accessories

Tab Collars for Fiberglass Duct (Regular /Nested)	.23
261 Collars	.24
Spin-In Collars for Fiberglass Duct (Standard/Tapered)	.25
Spin-In Collars for Metal (Standard/Tapered)	.26
Take-Off Collars	.27
Ring-Seal Collars	.27
Sure Seal Collars (Standard/Tapered)	.28
Collar Rings	.29
Damper Assembly Kits	.29
Collar Optional Accessories	.30
Flex Duct Connectors	.31
Sleeve Dampers	.31
Volume Dampers	.31
Aluminum Opposed-Blade Dampers	.32
Aluminum Parallel-Blade Dampers	.32
Motorized Opposed Blade Damper	.33
Motorized Parallel-Blade Damper	.33
Rectangular Motorized Zone Damper	.34
Round Motorized Zone Damper	.34

Drain Pans

Drain Pan Hanging Kits	.35
Drain Pans with Rails	.35
Standard Drain Pans	.36
Horizontal Drain Pans	.36
Auxiliary Drain Pans	.36

Fiberglass Products

Fiberglass Reducers	.37
Fiberglass Triangles	.37
Fiberglass Plenum Boxes	.37
Fiberglass Register Boxes	.38

Register Boxes

R-4 Register Boxes (Flanged & Unflanged)	.39
R-6/R-8 Register Boxes (Flanged & Unflanged)	.40
R-6/R-8 Register Boxes with Collar	.41
R-6/R-8 Side-Outlet Register Boxes	.42
Return-Air Boxes	.42
Thru-Wall boxes	.43
Mobile Home Return Boxes	.44
Slanted Top Register Boxes	.44

Adjustable Elbows and Metal Pipe

Adjustable Elbows	.45
Snap Lock Pipe	.46
Rigid Vent Pipe	.46

Fittings

Tees	.47
End Caps	.47
Reducers	.48
Rectangular Transitions	.48
Rectangular to Round Adapters	.49
Square to Round Adapters	.49
In-Line Wyes	.50
Bull-Nose Wyes	.50
Adjustable Wyes	.50
Mobile Home Wye/965	.50
Take-Off Collars for ICP Package-Units	.51
Take-Off Collars for Rheem/Ruud Package-Units	.52
Take-Off Collars for Nordyne Package-Units	.52
Take-Off Collars for Goodman Package-Units	.52

Register Boots

Plaster Ground Frame	.53
Straight Register Boots	.53
Center-End Register Boots	.54
Elbow Register Boots	.54

Wall Stack Products

Wall Stack Short-Way Elbows (90 & 45 degree)	.55
Wall Stack Long-Way Elbows	.55
Wall Stack Straight Transitions	.56
Wall Stack Elbow Transitions	.56
Wall Stack Centered Transitions	.56
Wall Stack Pipe	.57
Wall Stack Caps	.57
Side Wall Caps	.58
Twin Side Wall Caps	.58
Wall Stack Side Wall Cap	.58

Roofing Products

Galvanized Roof Vents	.59
Aluminum Roof Vents	.60
Straight Roof Jacks	.61
Angled Roof Jacks	.61
All-Purpose Roof Jacks (Angled & Straight)	.61
Line Jacks	.62
Shanty Caps	.62
Eave Caps	.62

AIR CONDITIONING ACCESSORIES

Z BAR

CAN STOCK

BOOT RAIL

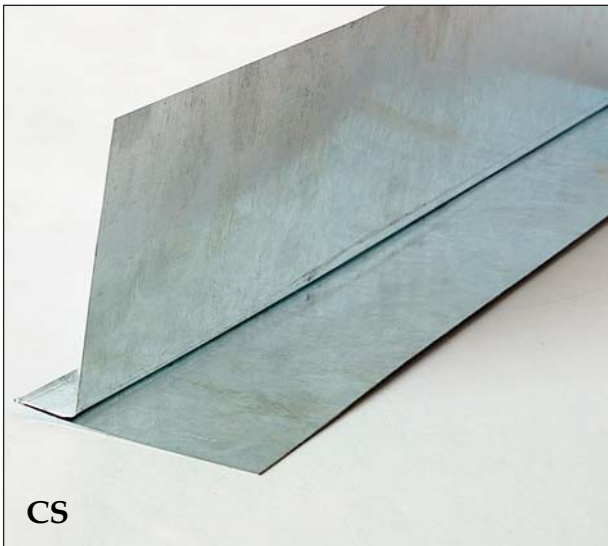


ZB

ALUMINUM Z-BAR

Available in .020 mill finish Aluminum.

Part No.	Size	Qty.
ZB-2	1" R-4 .020 MILL	100 Ft.
ZBR-2	1-1/2" R-6 .020 MILL	100 Ft.
ZB-R8	2" R-6 .020 MILL	80 Ft.



CS

CAN STOCK/PLASTER ROUND

Packaged in a box.

Part No.	Size	Ga.	Qty.
CS-4	2"X1-1/2"X 10'	30	200 Ft.
CS-412	2"X2"X10'	30	200 Ft.
CS-5	2"X2-1/2"X10'	30	200 Ft.



BR

BOOT RAIL

Part No.	Size	Ga.	Qty.
BR-26	1"X1"X24"	26	50
BR-24	1"X1"X24"	24	50
BR-22	1"X1"X24"	22	50

AIR CONDITIONING ACCESSORIES

BOOT CLIP

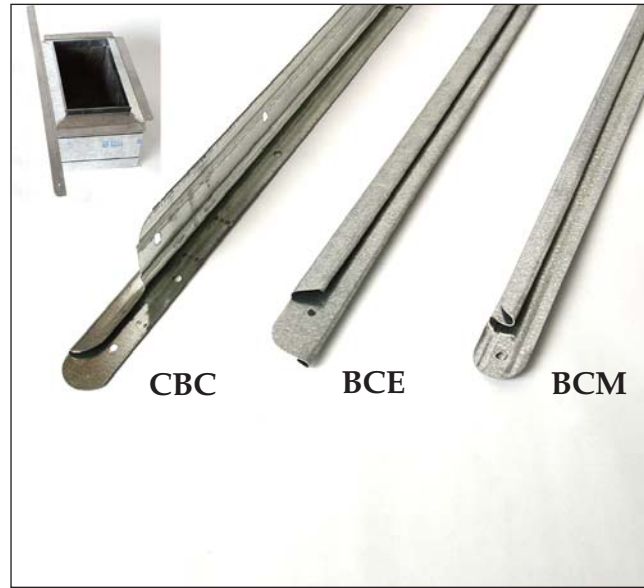
Features:

CBC: Combo Clip, to be used with flanged or un-flanged register box.

BCE: Boot Clip (Industry Standard).

BCM: Boot Clip (Miami Tech's Design).

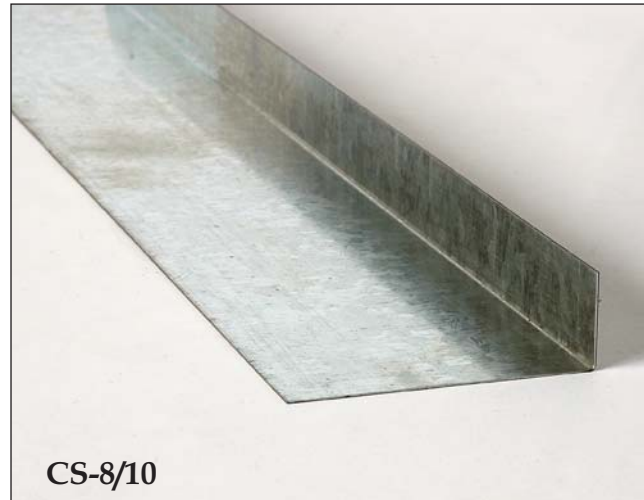
All packaged in a box.



Part No.	Size	Ga.	Qty.
BC-26M	26" Long	26	100
BC-26E	26" Long	26	100
CBC-26	26" Long	26	50

HEAT SHIELD/COLLAR START

Part No.	Size	Ga.	Qty.
CS30-8	5-1/2" X1/2"X8'	30	200 Ft.
CS26-8	6" X 1-1/2"X8'	26	200 Ft.
CS263-8	1"X3"X8'	26	200 Ft.
CS263-10	1"X3"X10'	26	200 Ft.
CS2675-8	6"X3/4"X8'	26	200 Ft.
CS223-10	1"X3"X10'	22	200 Ft.



DRIVE CLEAT

Part No.	Size	Ga.	Qty.
DRC26	1-1/8" x10'	26	100 Ft.
DRC24	1-1/8" x10'	24	100 Ft.



AIR CONDITIONING ACCESSORIES

FLAT S-LOCK

STANDING S-LOCK

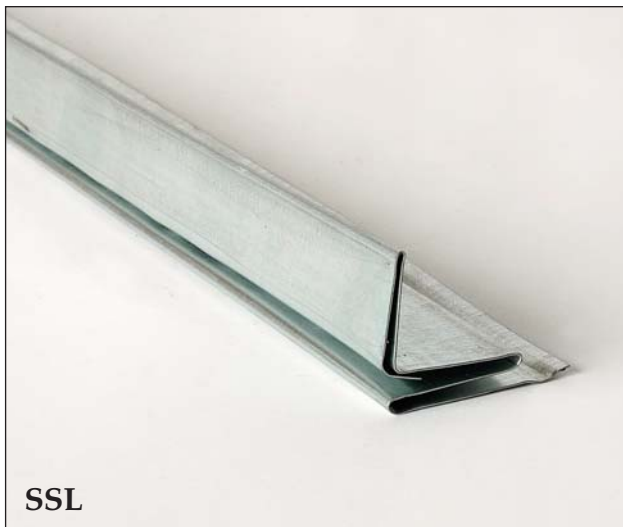
CONDENSING UNIT TIE DOWN



FSL

FLAT S-LOCK

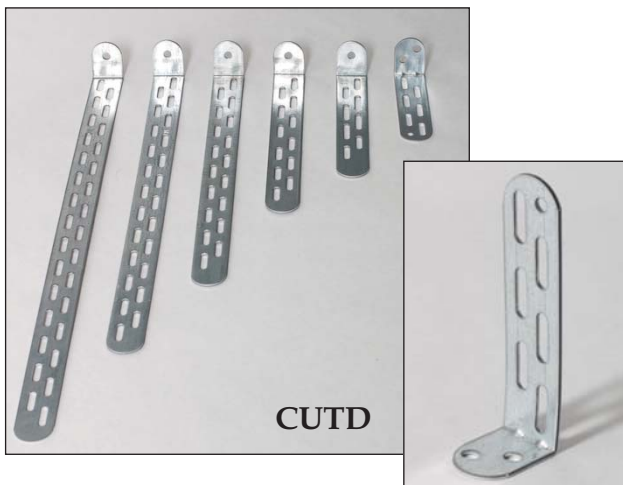
Part No.	Size	Ga.	Qty.
FSL26	10 Ft. Long	26	100 Ft.
FSL24	10 Ft. Long	24	100 Ft.



SSL

STANDING S-LOCK

Part No.	Size	Ga.	Qty.
SSL26	10 Ft. Long	26	100 Ft.
SSL24	10 Ft. Long	24	100 Ft.



CUTD

CONDENSING UNIT TIE DOWN

Part No.	Size	Ga.	Qty.
CUTD4	1"X4"	14	50 Pkgs (4pcs)
CUTD4-B	1"X4"	14	200 Pcs
CUTD6	1"X6"	14	1 Pkg (4pcs)
CUTD6-B	1"X6"	14	400 Pcs
CUTD8-B	1"X8"	14	200 Pcs
CUTD11-B	1"X11"	14	100 Pcs
CUTD14-B	1"X14"	14	100 Pcs
CUTD18-B	1"X18"	14	100 Pcs
CUTDA4	1"X4"	ALUM.	50 Pkgs (4pcs)
CUTDA4-B	1"X4"	ALUM.	200 Pcs
CUTDA6	1"X6"	ALUM.	1 Pkg (4pcs)
CUTDA6-B	1"X6"	ALUM.	400 Pcs
CUTDA8-B	1"X8"	ALUM.	200 Pcs
CUTDA11-B	1"X11"	ALUM.	100 Pcs
CUTDA14-B	1"X14"	ALUM.	100 Pcs
CUTDA18-B	1"X18"	ALUM.	100 Pcs

Meets or exceeds specific municipality codes.
 Available in Steel (CUTD) or Aluminum (CUTDA).
 Available in bulk (CUTD-B).
 CUTD: Priced per package of four.
 CUTD-B: Priced individually.

AIR CONDITIONING ACCESSORIES

DUCT GRILLE CLIP

Features:

Designed for R-4 & R-6 ductboard.
 Packaged in a box.
 Priced per box.

Part No.	Size	Ga.	Qty.
DC-150	1"x5-7/8"	26	1BX (100)



SLOTTED ANGLE IRON

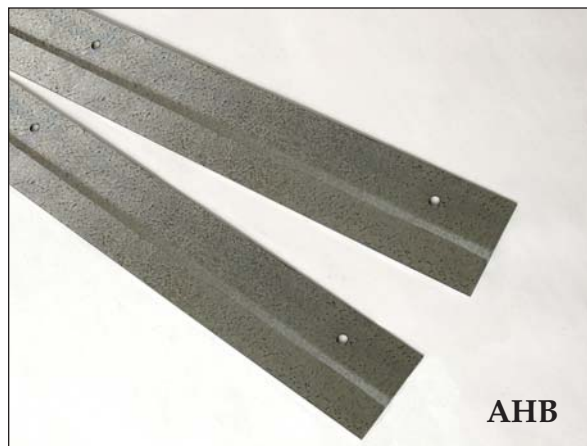
Part No.	Size	Ga.	Qty.
SA10-16	1.5"X1-1/2"X10'	16	50 Ft.
SA10-14	1.5"X1-1/2"X10'	14	50 Ft.



AIR-HANDLER BRACKET

Sold in sets of 2.
 Custom Sizes available upon request.

Part No.	Size	Ga.	Qty.
AHB	2-1/4"X20-3/4"	20	1 SET (2)



AIR CONDITIONING ACCESSORIES



HANGING STRAP

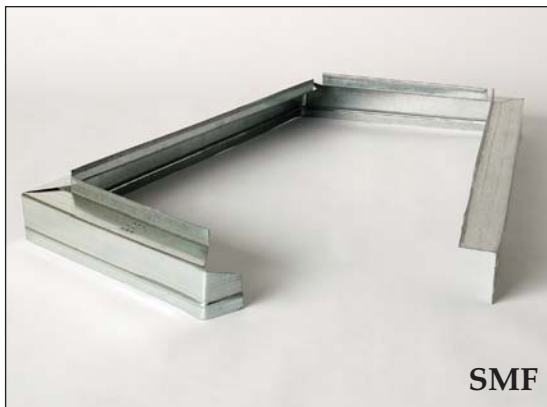
Part No	Size	Ga.	Qty.
HS1030	1"	30	1 ROLL
HS1026	1"	26	1 ROLL
HS1022	1"	22	1 ROLL
HS1530	1-1/2"	30	1 ROLL
HS1526	1-1/2"	26	1 ROLL
HS1522	1-1/2"	22	1 ROLL
HS2030	2"	30	1 ROLL
HS2026	2"	26	1 ROLL
HS2022	2"	22	1 ROLL



FIBERGLASS DUCT SUPPORT/SADDLE

Sold in sets of 10.

Part No.	Size	Ga.	Qty.
DS1	2"X2"X4"	22	10



SHEET METAL FRAME

Part No.	Size	Ga.	Qty.
SMF0404	4"X4"	28	1
SMF0604	6"X4"	28	1
SMF0606	6"X6"	28	1
SMF0804	8"X4"	28	1
SMF0806	8"X6"	28	1
SMF0808	8"X8"	28	1
SMF1004	10"X4"	28	1
SMF1006	10"X6"	28	1
SMF1008	10"X8"	28	1
SMF1010	10"X10"	28	1
SMF1204	12"X4"	28	1
SMF1206	12"X6"	28	1
SMF1208	12"X8"	28	1
SMF1210	12"X10"	28	1
SMF1212	12"X12"	28	1
SMF1406	14"X6"	28	1
SMF1408	14"X8"	28	1
SMF1414	14"X14"	28	1

AIR CONDITIONING ACCESSORIES

U CHANNEL

U-CHANNEL

Part No.	Size	Ga.	Qty.
UC-26	1"X2"X1"	26	100 Ft.
UC-22	1"X2"X1"	22	100 Ft.
UC-322	1"X3"X1"	22	100 Ft.



LINE COVER

REFRIGERANT LINE COVER

Part No.	Size	Length	Qty.	Cap
LC3-8	3"X3"X3"	8 Ft.	10	-
LC4-8	4"X4"X4"	8 Ft.	10	-
LC5-8	5"X5"X5"	8 Ft.	10	-
LC6-8	6"X6"X6"	8 Ft.	10	-
LC3-10	3"X3"X3"	10 Ft.	10	-
LC4-10	4"X4"X4"	10 Ft.	10	-
LC5-10	5"X5"X5"	10 Ft.	10	-
LC6-10	6"X6"X6"	10 Ft.	10	-
LC3-8C	3"X3"X3"	8 Ft.	2	Flat
LC4-8C	4"X4"X4"	8 Ft.	2	Flat
LC4A-8	4"X4"X4"	8 Ft.	2	Angle
LC5-8C	5"X5"X5"	8 Ft.	2	Flat
LC6-8C	6"X6"X6"	8 Ft.	2	Flat
LC3-10C	3"X3"X3"	10 Ft.	2	Flat
LC4-10C	4"X4"X4"	10 Ft.	2	Flat
LC4A-10	4"X4"X4"	10 Ft.	2	Angle
LC5-10C	5"X5"X5"	10 Ft.	2	Flat
LC6-10C	6"X6"X6"	10 Ft.	2	Flat



LC-C
(Flat Capped)

LC-A
(Angle Capped)



Custom sizes available upon request.

AIR CONDITIONING ACCESSORIES



RTO

REGISTER TAKE-OFF

Part No.	Grille Size	Duct Dia.	Ga.	Qty.
RTO848	8"X4"	8"	26	1
RTO8410	8"X4"	10"	26	1
RTO1068	10"X6"	8"	26	1
RTO10610	10"X6"	10"	26	1
RTO1268	12"X6"	8"	26	1
RTO12610	12"X6"	10"	26	1
RTO1288	12"X8"	8"	26	1
RTO12810	12"X8"	10"	26	1

Notes:

RTO flange option: If pipe diameter is at least 2" larger than RTO height, flange will fold inward, otherwise it will fold outward.

Custom sizes available upon request.

RTO shown with grille for illustration purposes only.



MBB

MIXING BOX BRACKET

Part No.	Size	Ga.	Qty.
MBB	8"X12"	16/22	1



NP

NAIL PLATE

Part No.	Size	Ga.	Qty.
NP36-16	3"X6"	16	1
NP38-16	3"X8"	16	1
NP36-22	3"X6"	22	1
NP38-22	3"X8"	22	1

FILTER RACKS

FIXED FILTER RACK

Features:

16 gauge galvanized steel.
 1" hog hair filter with reinforced wires included.
 1/8"X3/8" rubber strips included to minimize vibration.
 Pre-punched holes for easy fastening to air handler or base.
 All units packaged in a box.
 Optional Hinged access door available (part# FFRD).

Part No.	Width	Height	Depth	Qty.
FFR17.5RU	17-7/8"	2"	21-1/2"	1
FFR21RU	21-3/8"	2"	21-1/2"	1
FFR24RU	24-7/8"	2"	21-1/2"	1



FFR

FIXED FILTER RACK WITH DOOR

Part No.	Width	Height	Depth	Qty.
FFRD17.5RU	17-7/8"	2"	21-1/2"	1
FFRD21RU	21-3/8"	2"	21-1/2"	1
FFRD24RU	24-7/8"	2"	21-1/2"	1

FFRD17.5Y	17-7/8"	2"	21-7/8"	1
FFRD21Y	21-1/2"	2"	21-7/8"	1
FFRD24Y	24-7/8"	2"	21-7/8"	1
FFRD26Y	25-7/8"	2"	21-7/8"	1



**Model FFRD
(with door)**

INSULATED FIXED FILTER RACK

Features:

16 gauge galvanized steel double reinforced frame.
 1" hog hair filter with reinforced wires included.
 1/8"X3/8" rubber strips included to minimize vibration.
 Convertible filter track to accommodate a 2" pleated/high efficiency filter or a 1" filter plus 1" UV light system.
 Fully insulated with R-4 board for thermal efficiency & noise reduction. Insulated access door included.

Part No.	Width	Height	Depth	Qty.
FFRI17.5RU	17-7/8"	4-3/8"	21"	1
FFRI21RU	21-3/8"	4-3/8"	21"	1
FFRI24RU	24-7/8"	4-3/8"	21"	1
FFRI17.5Y	17-7/8"	4-3/8"	21-7/8"	1
FFRI21Y	21-1/2"	4-3/8"	21-7/8"	1
FFRI24Y	24-7/8"	4-3/8"	21-7/8"	1
FFRI26Y	25-7/8"	4-3/8"	21-7/8"	1



FFRI

RU: For Rheem/Ruud Units.
 Y: For York Units.

FILTER RACKS

TRANE/AMERICAN STANDARD FIXED FILTER RACK



Features:

- 16 gauge galvanized steel.
- 1" hog hair filter with reinforced wires included.
- Rubber strips included to minimize vibration.
- Pre-punched holes for easy fastening to air handler or base.
- All units packaged in a box.

Part No.	Width	Height	Depth	Qty.
FFR17.5TAS-SM*	17.5"	2"	22"	1
FFR19.75TAS	19.75"	2"	22"	1
FFR23TAS	23"	2"	23"	1

*Includes safety mesh.

TRANE/AMERICAN STANDARD FIXED FILTER RACK



Features:

- 16 gauge galvanized steel.
- 1" hog hair filter with reinforced wires included.
- Rubber strips included to minimize vibration.
- Pre-punched holes for easy fastening to air handler or base.
- Spring loaded hinges keep access door firmly closed.
- All units packaged in a box.

Part No.	Width	Height	Depth	Qty.
FFRD17.5TAS-SM*	17.5"	2"	22"	1
FFRD19.75TAS	19.75"	2"	22"	1
FFRD23TAS	23"	2"	23"	1

*Includes safety mesh.

FILTER RACKS

ADJUSTABLE FILTER RACK

Features:

14 gauge galvanized steel construction.
 Pre-punched holes for easy fastening to air-handler or base.
 Rubber strips included to minimize vibration.
 Adjustable width: N-Adjusts from 14" to 25".
 W-Adjusts from 17" to 27".

Part No.	Filter Track	Depth	Qty.
FR1N	1"	22"	1
FR1W	1"	22"	1
FR2N	2"	22"	1
FR2W	2"	22"	1

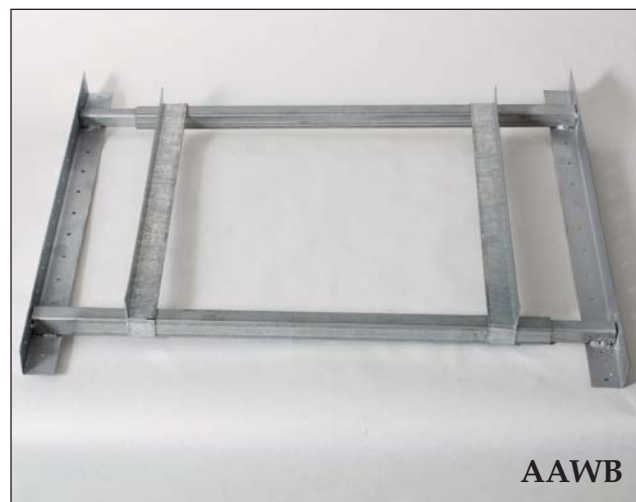


ADJUSTABLE AIR HANDLER WALL BRACKET (SPACE SAVER)

Features:

Main Angle: 1-1/2"X1-1/2" 16 gauge galvanized steel.
 Cross Tube: 1"X1" and 13/16" 16 gauge galvanized steel tube.
 Guide Angle: 1"X1" 26 gauge galvanized steel angle.
 MIG welded.
 Maintains required 4" clearance from rear wall.
 Accommodates units up to 30" wide and up to 350 lbs. in weight.
 Space-saving solution for installations of air-handlers in a space shared with a water heater.

Part No.	Depth	Width	Qty.
AAWB26	26"	Adjusts 26" to 40"	1



Installation instructions available online!

AIR HANDLER BASE

TRANE/AMERICAN STANDARD AIR-HANDLER BASE



TASB



TASSBKS

Features:

Frame:

- 16 gauge 1"X1" square tube.
- 16 gauge 1"X1" steel angle.
- 20 gauge 1/2" X 1/2" steel angle.

Outside Casing:

- 16 gauge ASTM A-653 hot-dipped galvanized steel sheet.
- 26 gauge ASTM A-653 hot-dipped galvanized steel sheet.

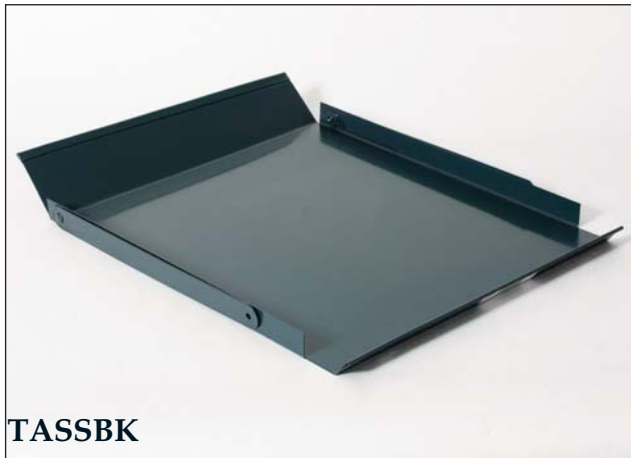
Mesh:

- 13 gauge 1-3/4"X3/4" expanded steel.
- Plastic capped feet to protect foundation surface.
- Pre-filter track accommodates a 1" thick air-filter (filter not included).
- Stands individually boxed for easy inventory.

Part No.	Depth	Width	Height	Qty.
TASB175	21"	17-5/8"	17-1/4"	1
TASB215	21"	21-5/8"	17-1/4"	1
TASB235	21"	23-5/8"	17-1/4"	1

*For TASB with optional baffle kit factory installed (TASSBK), add "SB" to part number (i.e. TASB235SB).

TRANE/AMERICAN STANDARD AIR-HANDLER BASE STAND SOUND BAFFLE KIT



TASSBK

Features:

Body

- 20 gauge powder-coated galvanized steel.
- 14 gauge powder-coated galvanized steel.
- Fully powder-coated to give a long lasting corrosion resistant finish.
- Installed in minutes with provided four #10 sheet metal screws.
- Packaged in a 2" high box for easy storage and transport.

Part No.	Width	Qty.
TASSBK175	14.75"	1
TASSBK215	18.75"	1
TASSBK235	20.75"	1

TRANE/AMERICAN STANDARD SIDE RETURN KIT



MTISRKIT

Features:

- Designed to offer the end user flexibility and convenience in the installation of Trane and American Standard air handlers.
- 26 gauge galvanized steel provides excellent corrosion resistance and longevity.
- Filter rack designed for widely available 16" x 20" x 1" filters.
- Individually boxed with installation instructions.

Part No.	Size	Qty.
MTISRKIT1620	16" x 20"	1

ADJUSTABLE AIR HANDLER BASE

HEAVY DUTY ADJUSTABLE AIR HANDLER BASE - MODEL HAB

Features:

- Standard depth 22" with filter rack.
- Adjustable width.
- Rated to support air handler units up to 200 lbs. (Tested by: Construction Research Laboratory, Inc).
- Frame: 1-1/2" X 2" X 1/8" Steel Angle.
- Legs: 16 Gauge.
- Height:
Add 1.5" to leg height for total base height.
- Adjustable Width:
N -Adjusts from 14" to 25".
W-Adjusts from 17" to 27".

Patent Number: 5,308,037



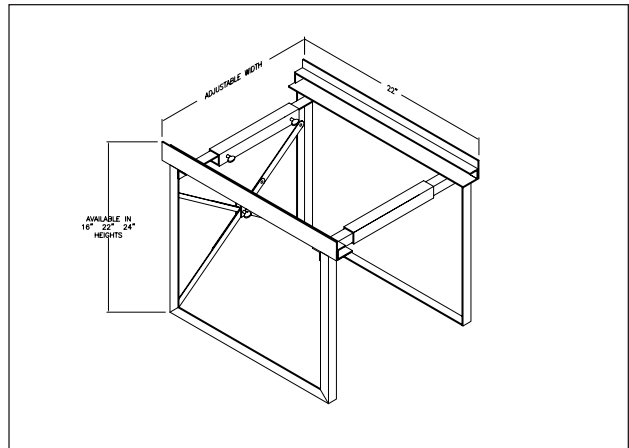
HAB

Installation Instructions:

1. Open base frame arms.
2. Insert couplers over base arms.
3. Measure air handler width and adjust base to size.
4. Tighten thumb screws.



All HAB stands are packed in 24"x24"x3" carton boxes.



Part No.	Size	Qty.
HAB22/16N	16" High -Narrow Frame	1
HAB22/16W	16" High-Wide Frame	1
HAB22/22N	22" High-Narrow Frame	1
HAB22/22W	22" High-Wide Frame	1
HAB22/24N	24" High-Narrow Frame	1
HAB22/24W	24" High-Wide Frame	1

ADJUSTABLE AIR HANDLER BASE

STEEL HEAVY DUTY ECONOMICAL ADJUSTABLE AIR HANDLER BASE - **MODEL HEB**



Features:

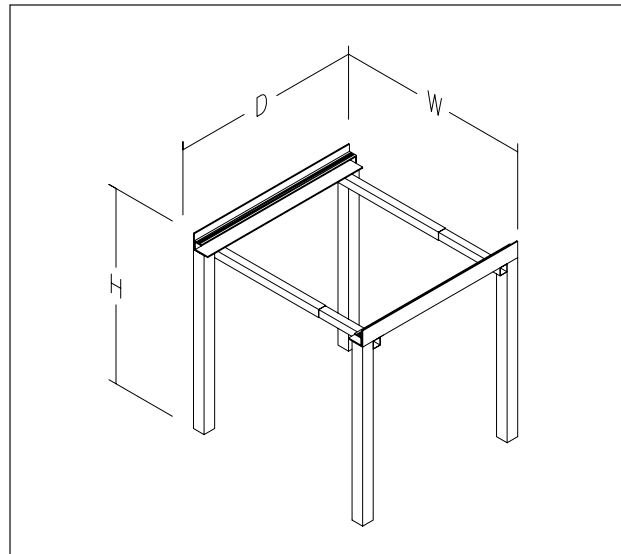
Standard depth 22" with filter rack.
 Filter rack included.
 Plastic 1" caps in upper and lower leg openings.
 1/8" X 3/8" rubber strips included to minimize vibration.

14 gauge frame/16 gauge tubing.
 Holds up to 500 lbs.

Adjustable Width:

N- Adjusts 14" -24"

W- Adjusts 17" -27"



Part No.	Size
HEB18N	18" High -Narrow Frame
HEB18W	18" High-Wide Frame
HEB24N	24" High-Narrow Frame
HEB24W	24" High-Wide Frame

ADJUSTABLE AIR HANDLER BASE

ALUMINUM HEAVY DUTY ECONOMICAL ADJUSTABLE AIR HANDLER BASE - MODEL AHEB

Features:

6003-T5 aluminum provides excellent corrosion resistance.

Filter rack included.

Plastic 1" caps in upper and lower leg openings.

1/8" X 3/8" rubber strips included to minimize vibration.

Holds up to 500 lbs.

Adjustable Width:

W- Adjusts 16"-26".

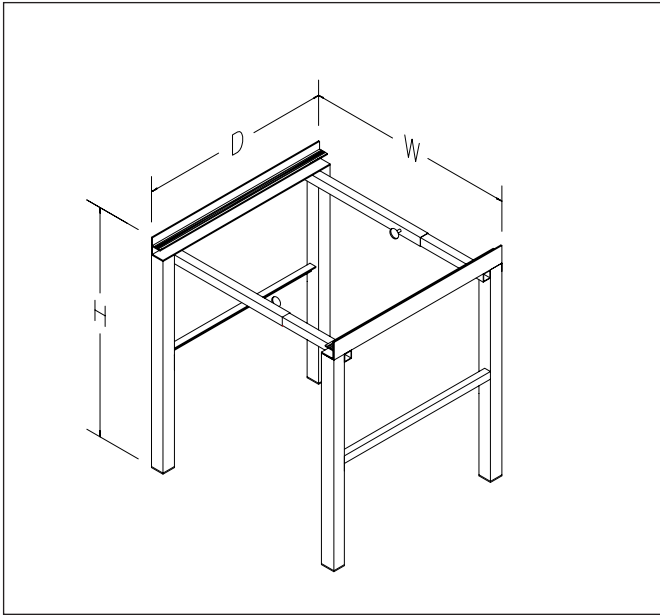


AHEB

No assembly required.

25 units per skid.

Custom sizes available upon request.



Part No.	Size
AHEB1720W	17.5"H X 20"D X W
AHEB1722W	17.5"H X 22"D X W
AHEB1727W	17.5"H X 27"D X W
AHEB2422W	24"H X 22"D X W
AHEB2722W	27"H X 22"D X W

ADJUSTABLE AIR HANDLER BASE

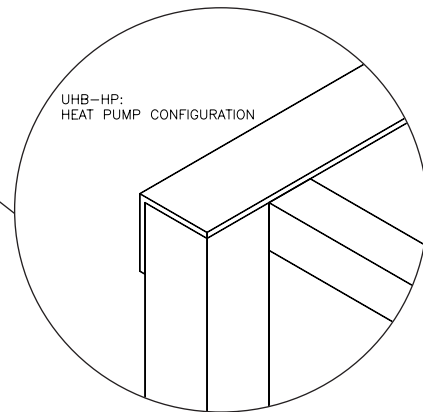
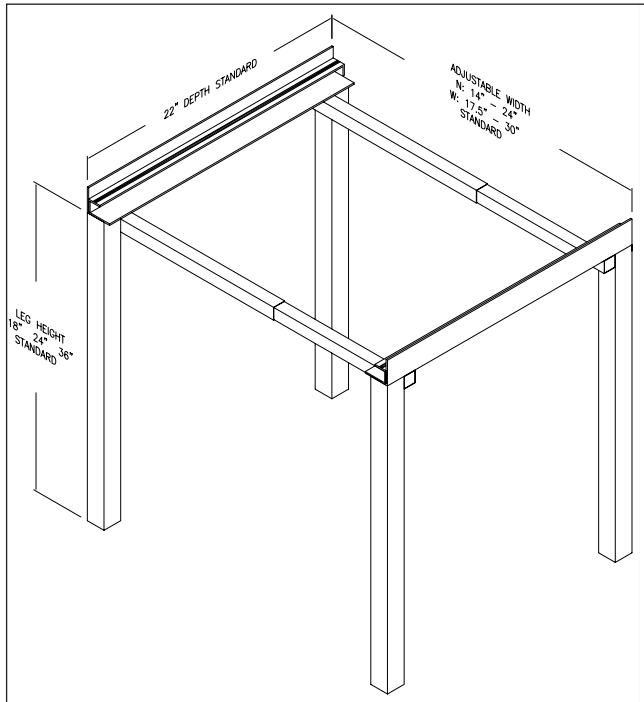
ULTRA HEAVY-DUTY AIR HANDLER BASE - MODEL UHB

Features:

- Standard depth 22" with filter rack.
- No Assembly required.
- 20 stands per skid.
- Filter rack included.
- Plastic caps in lower leg openings.
- Frame: 2"X2"X 1/8" Steel angles.
- Support legs: 1-1/2"X 1-1/2"X 16 gauge galvanized tubing.

Adjustable Width:

- N-Adjusts from 14" to 24"
- W-Adjusts from 17.5" to 30"



Ordering guidelines for custom sizes:

UHBHeight-Depth N or W

Example:
 UHB18-24N
 Height: 18"
 Depth: 24"
 Width: N (Adjustable from 14" to 24")

Part No.	Size	Qty.
UHB18N	18"High - Narrow Frame	1
UHB18W	18"High - Wide Frame	1
UHB24N	24"High Frame - Narrow Frame	1
UHB24W	24"High Frame - Wide Frame	1
UHB36N	36" High Frame - Narrow Frame	1
UHB36W	36" High Frame - Wide Frame	1

Custom heights available upon request.

ALUMINUM PRODUCTS

ALUMINUM CONDENSING-UNIT WALL-MOUNT BRACKET

Features:

All aluminum 6061-T6 alloy construction.
 WLR models rated for windload up to 53.1 psf (optional). Supports units of up to 2000 lbs.
 2010 FBC.
 Engineer's raised-seal drawings available.
 Optional vibration pad is made from recycled rubber to isolate vibration from condensing unit.



AWB-WLR



AWB

Part No.	Ext.	Bracket Spacing	Inner Spacing	Max Unit Size
AWB104836	48"	36"	26"	-
AWB103636	36"	30"	20"	-
AWB103036	30"	24"	14"	-
AWB104836-WLR36	48"	36"	26"	45" x 48"
AWB103636-WLR30	36"	30"	20"	36" x 36"
AWB103036-WLR24	30"	24"	14"	30" x 30"

Anchoring instructions available online!

ALUMINUM PIPE STAND

Part No.	Part No.	Size (WXH)	Qty.
APSS20-18	APSH20-18	18"X20"	1
APSS20-24	APSH20-24	24"X20"	1
APSS20-36	APSH20-36	36"X20"	1
APSS26-18	APSH26-18	18"X26"	1
APSS26-24	APSH26-24	24"X26"	1
APSS26-36	APSH26-36	36"X26"	1



APS

APSS: Standard pipe stand.
 APSH: Heavy-Duty pipe stand.

ALUMINUM PRODUCTS

ALUMINUM TELESCOPING CONDENSING-UNIT STANDS



AS10

Features:

- 2010 FBC.
- All aluminum 6061-T6 alloy construction.
- Engineered to accommodate the larger SEER 13 Units.
- Miami-Dade County approved. NOA# 12-0612.29.**
- Engineer's raised-seal drawings available.
- Optional vibration pad (VP) available to isolate vibration from condensing unit.
- Available with optional cross-mounting angle (AS10CA).
- Available with optional lead boots (LB).
- Available with optional mounting plate (EMB) for electrical box mounting bracket.

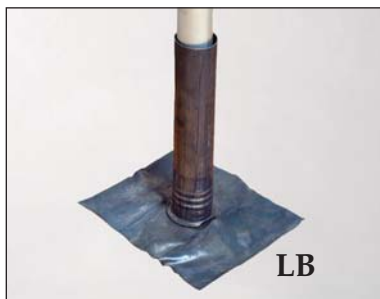
Widget calculator available online at www.miamitech.com/tools, to help size stands properly.

Part No.	Description	Size
AS10S18	Alum Stand Leg Assembly, 2010 FBC 20-30" spread, 18" tall - Standard	18"
AS10S24	Alum Stand Leg Assembly, 2010 FBC 20-30" spread, 24" tall - Standard	24"
AS10S30	Alum Stand Leg Assembly, 2010 FBC 20-30" spread, 30" tall - Standard	30"
AS10H18	Alum Stand Leg Assembly, 2010 FBC 20-30" spread, 18" tall - Heavy Duty	18"
AS10H24	Alum Stand Leg Assembly, 2010 FBC 20-30" spread, 24" tall - Heavy Duty	24"
AS10H30	Alum Stand Leg Assembly, 2010 FBC 20-30" spread, 30" tall - Heavy Duty	30"

Part No.	Description	Size
AS10I-3	Alum Stand I-Beam, 2010 FBC, 3'	3'
AS10I-6	Alum Stand I-Beam, 2010 FBC, 6'	6'
AS10I-9	Alum Stand I-Beam, 2010 FBC, 9'	9'
AS10I-12	Alum Stand I-Beam, 2010 FBC, 12'	12'
AS10I-15	Alum Stand I-Beam, 2010 FBC, 15'	15'
AS10I-18	Alum Stand I-Beam, 2010 FBC, 18'	18'

Part No.	Description	Size
AS10CAB-30	3"x3"x1/8" In-Beam Cross Mount Angle for 30" spread	30"
AS10CAB-36	3"x3"x1/8" In-Beam Cross Mount Angle for 36" spread	36"
AS10CAB-42	3"x3"x1/8" In-Beam Cross Mount Angle for 42" spread	42"

OPTIONS:



LB



AS10CAB



EMB

CONDENSING UNIT CAGE



CONDENSING UNIT CAGE

Features:

Powder-coated galvanized steel for long term resistance.
MIG Welded.

1"X1" 16 gauge galvanized steel tube &
13/16"X 13/16" 16 gauge galvanized steel tube.

Ships knocked-down for easy storage and transportation.
Hardware/padlocks included.

Removable top and side for easy service access.

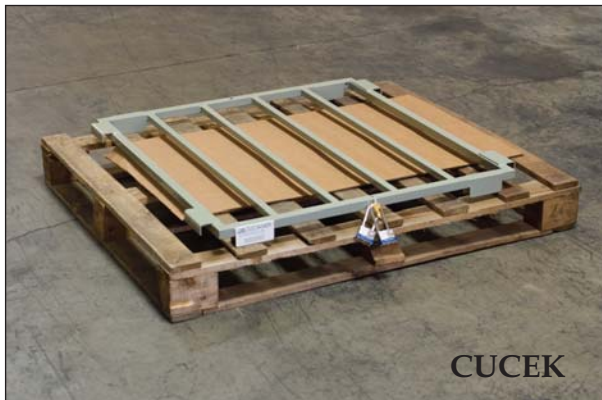
Pivot design allows total access of condensing unit.

6" clearance between cage and slab for electrical and refrigerant lines. 3" clearance between cage and slab on all other sides .

Expandable design.

Refer to CUCEK for expandable cage options.

Part No.	Size (HXDXW)	Ga.	Qty.
CUC383434	38"X34"X34"	16	1
CUC503434	50"X34"X34"	16	1
CUC504040	50"X40"X40"	16	1
CUC364838	36"X48"X38"	16	1



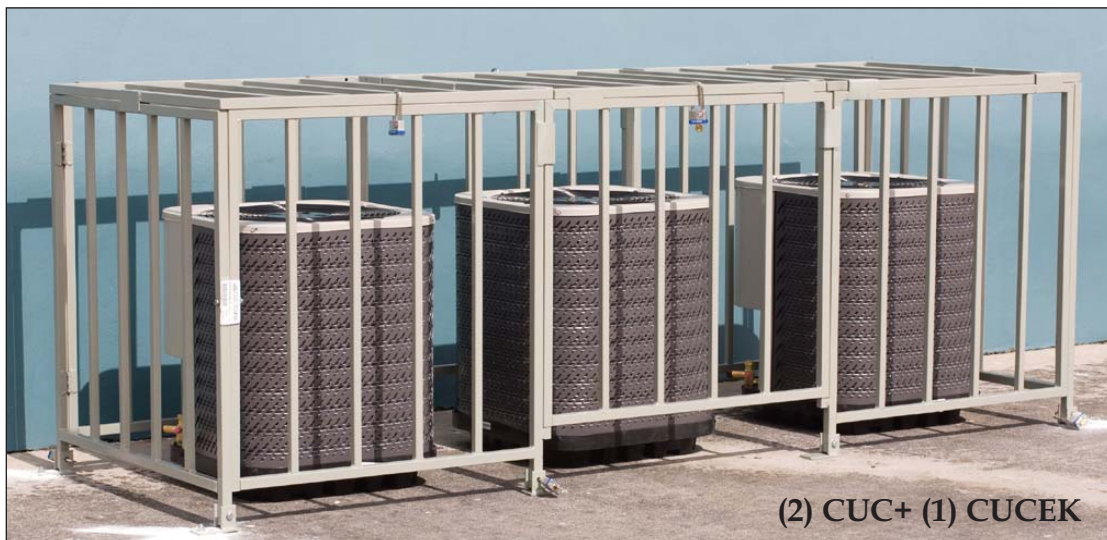
CONDENSING UNIT CAGE EXTENSION KIT

Features:

Converts two standard cages into one extra long cage.
Refer to submittal sheet for specifications.

Part No.	Size (DXW)	Ga.	Qty.
CUC3434EK	34"X34"	16	1
CUC4040EK	40"X40"	16	1

Installation instructions available online!



COLLARS



FCL

TAB COLLARS FOR FIBERGLASS

Features:

FCL designed to accommodate R-4 & R-6 ductboard.
 R8-FCL designed to accommodate R-8 ductboard.
 180 Degree hemmed circumference/no raw edges.
 FCL Flange dimension (.700") exceeds Florida building code requirement of .625" (FL Building Code # 603.5.6).



FCD



FCZD

NESTED TAB COLLARS



FCLN

Case Quantities

Size	FCL	FCZ	FCD	FCZD	FCLN	CG
4"	100	80	100	80	40	80
5"	100	70	100	70	36	80
6"	75	60	75	60	36	80
7"	60	50	60	50	28	80
8"	50	40	50	40	22	80
9"	40	30	40	30	20	80
10"	40	30	40	30	16	80
12"	25	20	25	20	24	80
14"	20	15	20	15	20	80
16"	15	15	15	12	16	80
18"	15	10	15	8	14	80
20"	15	10	15	6	12	80

Size	R8-FCL	R8-FCZ	R8-FCD	R8-FCZD
4"	100	80	100	80
5"	100	70	100	70
6"	75	60	75	60
7"	60	50	60	50
8"	50	40	50	40
9"	40	30	40	30
10"	40	30	40	30
12"	25	20	25	20
14"	20	15	20	15
16"	15	15	15	12
18"	15	10	15	8
20"	15	10	15	6

FCL: One piece wide tab collar for R-4 or R-6 ductboard.
 R8-FCL: One piece wide tab collar for R-8 ductboard.
 FCZ: One piece wide tab collar with scoop.
 FCD: One piece wide tab collar with damper.
 FCZD: One piece wide tab collar with scoop & damper.
 FCLG: One piece wide tab collar with gasket.
 FCLN: Nested one piece wide tab collar.
 CG: Gasket only.
 FCD-SOE: FCD with Miami Tech's 2" stand-off.
 FCZD-SOE: FCZD with Miami Tech's 2" stand-off.
 Refer to page 30 for options' details.



R8-FCL



COLLARS

261 COLLAR

Features:

Body mechanically fastened together to ensure a rigid assembly.

- 261L: 6" Long starting collar plain.
- 261LZ: 6" Long starting collar with scoop only.
- 261LD: 6" Long starting collar with damper only.
- 261LZD: 6" Long starting collar with scoop & damper.

Options Available:

- 261LD-SO: 261LD with standard 2" stand-off.
 - 261LD-SOE: 261LD with Miami Tech's 2" stand-off.
 - 261LZD-SO: 261LZD with standard 2" stand-off.
 - 261LZD-SOE: 261LZD with Miami Tech's 2" stand-off.
- Refer to page 30 for options' details.*



261L



261ZD



261LD

Size	261L	261LZ	261LD	261LZD	Qty.
4"	261L04	261LZ04	261LD04	261LZD04	1
5"	261L05	261LZ05	261LD05	261LZD05	1
6"	261L06	261LZ06	261LD06	261LZD06	1
7"	261L07	261LZ07	261LD07	261LZD07	1
8"	261L08	261LZ08	261LD08	261LZD08	1
9"	261L09	261LZ09	261LD09	261LZD09	1
10"	261L10	261LZ10	261LD10	261LZD10	1
12"	261L12	261LZ12	261LD12	261LZD12	1
14"	261L14	261LZ14	261LD14	261LZD14	1
16"	261L16	261LZ16	261LD16	261LZD16	1
18"	261L18	261LZ18	261LD18	261LZD18	1
20"	261L20	261LZ20	261LD20	261LZD20	1

COLLARS

FSC



FSC-5



FSC-6

- FSC-1: Spin-In collar for fiberglass, plain.
- FSC-4: Spin-In collar for fiberglass with scoop.
- FSC-5: Spin-In collar for fiberglass with damper.
- FSC-6: Spin-In collar for fiberglass with scoop & damper.
- FSCA: Alternate 3" body.

SPIN-IN COLLAR FOR FIBERGLASS DUCT

FSC-1	FSC-4	FSC-5	FSC-6	Size	Qty.
FSC4-1	FSC4-4	FSC4-5	FSC4-6	4"	1
FSC5-1	FSC5-4	FSC5-5	FSC5-6	5"	1
FSC6-1	FSC6-4	FSC6-5	FSC6-6	6"	1
FSC7-1	FSC7-4	FSC7-5	FSC7-6	7"	1
FSC8-1	FSC8-4	FSC8-5	FSC8-6	8"	1
FSC10-1	FSC10-4	FSC10-5	FSC10-6	10"	1
FSC12-1	FSC12-4	FSC12-5	FSC12-6	12"	1
FSC14-1	FSC14-4	FSC14-5	FSC14-6	14"	1
FSC16-1	FSC16-4	FSC16-5	FSC16-6	16"	1
FSC18-1	FSC18-4	FSC18-5	FSC18-6	18"	1
FSC20-1	FSC20-4	FSC20-5	FSC20-6	20"	1

Options Available:

- Available for R-4 or R-6 ductboard.
- Standard R-6 ductboard.
- FSC-R4: FSC for R-4 ductboard.
- FSC-HD: FSC with heavy-duty hardware.
- FSC-SO: FSC with standard 2" stand-off.
- FSC-SOE: FSC with Miami Tech's 2" stand-off.
- Refer to page 30 for options' details.

FSCT



FSCT-5



FSCT-6

- FSCT-1: T. Spin-In collar for fiberglass, plain.
- FSCT-4: T. Spin-In collar for fiberglass with scoop.
- FSCT-5: T. Spin-In collar for fiberglass with damper.
- FSCT-6: T. Spin-In for fiberglass with scoop & damper.
- FSCTA: Alternate 3" body.

SPIN-IN COLLAR TAPERED STYLE (CONICAL) FOR FIBERGLASS DUCT

FSCT-1	FSCT-4	FSCT-5	FSCT-6	Size	Qty.
FSCT64-1	FSCT64-4	FSCT64-5	FSCT64-6	4"	1
FSCT75-1	FSCT75-4	FSCT75-5	FSCT75-6	5"	1
FSCT86-1	FSCT86-4	FSCT86-5	FSCT86-6	6"	1
FSCT97-1	FSCT97-4	FSCT97-5	FSCT97-6	7"	1
FSCT108-1	FSCT108-4	FSCT108-5	FSCT108-6	8"	1
FSCT1210-1	FSCT210-4	FSCT1210-5	FSCT1210-6	10"	1
FSCT1412-1	FSCT1412-4	FSCT1412-5	FSCT1412-6	12"	1
FSCT1614-1	FSCT1614-4	FSCT1614-5	FSCT1614-6	14"	1
FSCT1816-1	FSCT1816-4	FSCT1816-5	FSCT1816-6	16"	1
FSCT2018-1	FSCT2018-4	FSCT2018-5	FSCT2018-6	18"	1
FSCT2220-1	FSCT2220-4	FSCT2220-5	FSCT2220-6	20"	1

Options Available:

- Available for R-4 or R-6 ductboard.
- Standard R-6 ductboard.
- FSCT-R4: FSCT for R-4 ductboard.
- FSCT-HD: FSCT with heavy-duty hardware.
- FSCT-SO: FSCT with standard 2" stand-off.
- FSCT-SOE: FSCT with Miami Tech's 2" stand-off.
- Refer to page 30 for options' details.



FSCTA

COLLARS

SPIN-IN COLLAR FOR METAL DUCT

MSIC-1	MSIC-4	MSIC-5	MSIC-6	Size	Qty.
MSIC4-1	MSIC4-4	MSIC4-5	MSIC4-6	4"	1
MSIC5-1	MSIC5-4	MSIC5-5	MSIC5-6	5"	1
MSIC6-1	MSIC6-4	MSIC6-5	MSIC6-6	6"	1
MSIC7-1	MSIC7-4	MSIC7-5	MSIC7-6	7"	1
MSIC8-1	MSIC8-4	MSIC8-5	MSIC8-6	8"	1
MSIC10-1	MSIC10-4	MSIC10-5	MSIC10-6	10"	1
MSIC12-1	MSIC12-4	MSIC12-5	MSIC12-6	12"	1
MSIC14-1	MSIC14-4	MSIC14-5	MSIC14-6	14"	1
MSIC16-1	MSIC16-4	MSIC16-5	MSIC16-6	16"	1
MSIC18-1	MSIC18-4	MSIC18-5	MSIC18-6	18"	1
MSIC20-1	MSIC20-4	MSIC20-5	MSIC20-6	20"	1

Options Available:

MSIC-HD: MSIC with heavy-duty hardware.
 MSIC-SO: MSIC with standard 2" stand-off.
 MSIC-SOE: MSIC with Miami Tech's 2" stand-off.
 Refer to page 30 for options' details.



MSIC



MSIC-5



MSIC-6

MSIC-1: Spin-In collar for Metal, plain.
 MSIC-4: Spin-In collar for Metal, with scoop.
 MSIC-5: Spin-In collar for Metal, with damper.
 MSIC-6: Spin-In collar for Metal, with scoop & damper.
 MSICA: Alternate 3" body.

SPIN-IN COLLAR TAPERED STYLE (CONICAL) FOR METAL DUCT

MSICT-1	MSICT-4	MSICT-5	MSICT-6	Size	Qty.
MSICT64-1	MSICT64-4	MSICT64-5	MSICT64-6	4"	1
MSICT75-1	MSICT75-4	MSICT75-5	MSICT75-6	5"	1
MSICT86-1	MSICT86-4	MSICT86-5	MSICT86-6	6"	1
MSICT97-1	MSICT97-4	MSICT97-5	MSICT97-6	7"	1
MSICT108-1	MSICT108-4	MSICT108-5	MSICT108-6	8"	1
MSICT1210-1	MSICT1210-4	MSICT1210-5	MSICT1210-6	10"	1
MSICT1412-1	MSICT1412-4	MSICT1412-5	MSICT1412-6	12"	1
MSICT1614-1	MSICT1614-4	MSICT1614-5	MSICT1614-6	14"	1
MSICT1816-1	MSICT1816-4	MSICT1816-5	MSICT1816-6	16"	1
MSICT2018-1	MSICT2018-4	MSICT2018-5	MSICT2018-6	18"	1
MSICT2220-1	MSICT2220-4	MSICT2220-5	MSICT2220-6	20"	1

Options Available:

MSICT-HD: MSICT with heavy-duty hardware.
 MSICT-SO: MSICT with standard 2" stand-off.
 MSICT-SOE: MSICT with Miami Tech's 2" stand-off.
 Refer to page 30 for options' details.



MSICT



MSICT-5



MSICT-6

MSICT-1: T. Spin-In collar for Metal, plain.
 MSICT-4: T. Spin-In collar for Metal, with scoop.
 MSICT-5: T. Spin-In collar for Metal Spin-In with damper.
 MSICT-6: T. Spin-In collar for Metal with scoop & damper.
 *Optional: Stand-off shown.

COLLARS



TCZD



TCD

TC: Take-off collar plain.
 TCZ: Take-off collar with scoop only.
 TCD: Take-off collar with damper only.
 TCZD: Take-off collar with scoop & damper.

TAKE-OFF COLLAR

Size	TC	TCZ	TCD	TCZD	Qty.
4"	TC4	TCZ4	TCD4	TCZD4	1
5"	TC5	TCZ5	TCD5	TCZD5	1
6"	TC6	TCZ6	TCD6	TCZD6	1
7"	TC7	TCZ7	TCD7	TCZD7	1
8"	TC8	TCZ8	TCD8	TCZD8	1
9"	TC9	TCZ9	TCD9	TCZD9	1
10"	TC10	TCZ10	TCD10	TCZD10	1
12"	TC12	TCZ12	TCD12	TCZD12	1
14"	TC14	TCZ14	TCD14	TCZD14	1
16"	TC16	TCZ16	TCD16	TCZD16	1
18"	TC18	TCZ18	TCD18	TCZD18	1
20"	TC20	TCZ20	TCD20	TCZD20	1

Options Available:
 TCD-SO: TCD with standard 2" stand-off.
 TCD-SOE: TCD with Miami Tech's 2" stand-off.
 TCZD-SO: TCZD with standard 2" stand-off.
 TCZD-SOE: TCZD with Miami Tech's 2" stand-off.
 Refer to page 30 for options' details.



RSCD



RSCZD

RSC: Ring-seal collar, plain.
 RSCZ: Ring-seal collar with scoop.
 RSCD: Ring-seal collar with damper.
 RSCZD: Ring-seal collar with scoop and damper.

RING-SEAL COLLAR

Size	RSC	RSCZ	RSCD	RSCZD	Qty.
4"	RSC04	RSCZ04	RSCD04	RSCZD04	1
5"	RSC05	RSCZ05	RSCD05	RSCZD05	1
6"	RSC06	RSCZ06	RSCD06	RSCZD06	1
7"	RSC07	RSCZ07	RSCD07	RSCZD07	1
8"	RSC08	RSCZ08	RSCD08	RSCZD08	1
9"	RSC09	RSCZ09	RSCD09	RSCZD09	1
10"	RSC10	RSCZ10	RSCD10	RSCZD10	1
12"	RSC12	RSCZ12	RSCD12	RSCZD12	1
14"	RSC14	RSCZ14	RSCD14	RSCZD14	1
16"	RSC16	RSCZ16	RSCD16	RSCZD16	1
18"	RSC18	RSCZ18	RSCD18	RSCZD18	1
20"	RSC20	RSCZ20	RSCD20	RSCZD20	1

Options available:
 RSCG: Ring-seal collar with gasket.
 RSCD-SO: RSC with standard 2" stand-off.
 RSCD-SOE: RSC with Miami Tech's 2" stand-off.
 RSCZD-SO: RSCZD with standard 2" stand-off.
 RSCZD-SOE: RSCZD with Miami Tech's 2" stand-off.
 Refer to page 30 for options' details.

COLLARS

SURE SEAL COLLAR

SSC-1	SSC-4	SSC-5	SSC-6	Size	Qty.
SSC4-1	SSC4-4	SSC4-5	SSC4-6	4"	1
SSC5-1	SSC5-4	SSC5-5	SSC5-6	5"	1
SSC6-1	SSC6-4	SSC6-5	SSC6-6	6"	1
SSC7-1	SSC7-4	SSC7-5	SSC7-6	7"	1
SSC8-1	SSC8-4	SSC8-5	SSC8-6	8"	1
SSC10-1	SSC10-4	SSC10-5	SSC10-6	10"	1
SSC12-1	SSC12-4	SSC12-5	SSC12-6	12"	1
SSC14-1	SSC14-4	SSC14-5	SSC14-6	14"	1
SSC16-1	SSC16-4	SSC16-5	SSC16-6	16"	1
SSC18-1	SSC18-4	SSC18-5	SSC18-6	18"	1
SSC20-1	SSC20-4	SSC20-5	SSC20-6	20"	1

Options Available:

SSC-HD: SSC with heavy-duty hardware.

SSC-SO: SSC with standard 2" stand-off.

SSC-SOE: SSC with Miami Tech's 2" stand-off.

Refer to page 30 for options' details.



SSC



SSC-5



SSC-6

SSC-1: Sure Seal collar, plain.

SSC-4: Sure Seal collar with scoop.

SSC-5: Sure Seal collar with damper.

SSC-6: Sure Seal collar with scoop & damper.

SSCA: Alternate 3" body.

SURE SEAL COLLAR -TAPERED STYLE (CONICAL)

SSCT-1	SSCT-4	SSCT-5	SSCT-6	Size	Qty.
SSCT64-1	SSCT64-4	SSCT64-5	SSCT64-6	4"	1
SSCT75-1	SSCT75-4	SSCT75-5	SSCT75-6	5"	1
SSCT86-1	SSCT86-4	SSCT86-5	SSCT86-6	6"	1
SSCT97-1	SSCT97-4	SSCT97-5	SSCT97-6	7"	1
SSCT108-1	SSCT108-4	SSCT108-5	SSCT108-6	8"	1
SSCT1210-1	SSCT1210-4	SSCT1210-5	SSCT1210-6	10"	1
SSCT1412-1	SSCT1412-4	SSCT1412-5	SSCT1412-6	12"	1
SSCT1614-1	SSCT1614-4	SSCT1614-5	SSCT1614-6	14"	1
SSCT1816-1	SSCT1816-4	SSCT1816-5	SSCT1816-6	16"	1
SSCT2018-1	SSCT2018-4	SSCT2018-5	SSCT2018-6	18"	1
SSCT2220-1	SSCT2220-4	SSCT2220-5	SSCT2220-6	20"	1

Options Available:

SSCT-HD: SSCT with heavy-duty hardware.

SSCT-SO: SSCT with standard 2" stand-off.

SSCT-SOE: SSCT with Miami Tech's 2" stand-off.

Refer to page 30 for options' details.



SSCT



SSCT-5



SSCT-6

SSCT-1: T. Sure Seal collar, plain.

SSCT-4: T. Sure Seal collar with scoop.

SSCT-5: T. Sure Seal collar with damper.

SSCT-6: T. Sure Seal collar with scoop & damper.

COLLARS & ACCESSORIES



COLLAR-RING

Part No.	Size	Ga.	Qty.
CR4	4"	28	100
CR5	5"	28	100
CR6	6"	28	100
CR7	7"	28	100
CR8	8"	28	100
CR10	10"	28	100
CR12	12"	28	100
CR14	14"	28	100
CR16	16"	28	100
CR18	18"	28	100



DAMPER ASSEMBLY KIT

Part No.	Size	Ga.	Qty.
DA04	4"	26	50
DA05	5"	26	50
DA06	6"	26	50
DA07	7"	26	50
DA08	8"	26	50
DA09	9"	26	50
DA10	10"	26	50
DA12	12"	26	50
DA14	14"	26	50
DA16	16"	26	50
DA18	18"	26	50
DA20	20"	26	50



OPTIONAL ACCESSORIES

STAND-OFF OPTION

Features:

Two-inch stand-off equipped with butterfly-nuts top and bottom to lock in damper, as well as a position lock nut. Designed for commercial applications.

Add "SO" to part number to indicate this option.

SO



E-STYLE STAND-OFF OPTION

Features:

Two-inch stand-off equipped with butterfly-nuts top and bottom to lock in damper, as well as a position lock nut. For use on any fitting damper. Designed for light commercial and residential applications.

Add "SOE" to part number to indicate this option.

SOE



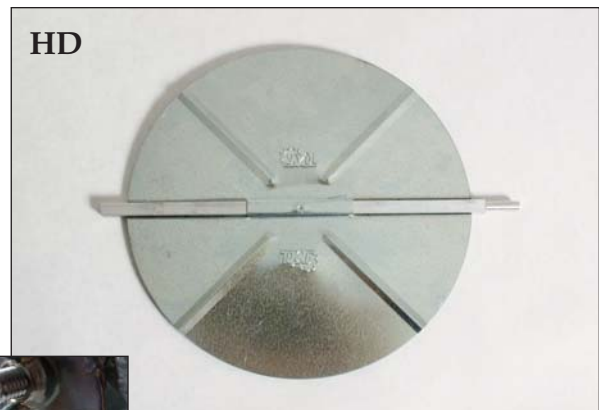
HD (HEAVY DUTY) STAND-OFF OPTION

Features:

Equipped with a heavy duty handle and a position lock nut on 2" stand off (1" stand off available). 3/8" aluminum square rod shaft and 22GA damper blade for heavy duty applications. Nylon bushings on both ends of damper. Ideal for commercial and high-volume applications.

Add "HD" to part number to indicate this option.

HD



MSIC-5HD



RTDS-HD



COLLARS & ACCESSORIES

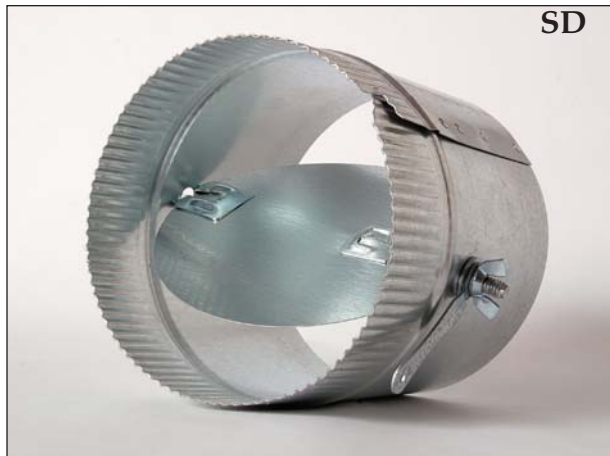


FLEX DUCT CONNECTOR

DC	DCL	Size	Ga.	Qty.
DC04	DCL04	4"	26	25
DC05	DCL05	5"	26	25
DC06	DCL06	6"	26	25
DC07	DCL07	7"	26	25
DC08	DCL08	8"	26	25
DC09	DCL09	9"	26	25
DC10	DCL10	10"	26	25
DC12	DCL12	12"	26	25
DC14	DCL14	14"	26	25
DC16	DCL16	16"	26	25
DC18	DCL18	18"	26	25
DC20	DCL20	20"	26	25

DC: 4.5" body-length flex duct connector.

DCL: 6" body-length flex duct connector.



Available with stand-off.
Refer to page 30 for options' details.

SLEEVE DAMPER

Part No.	Size	Ga.	Qty.
SD04	4"	28	1
SD05	5"	28	1
SD06	6"	28	1
SD07	7"	26	1
SD08	8"	26	1
SD09	9"	26	1
SD10	10"	26	1
SD12	12"	26	1
SD14	14"	26	1
SD16	16"	26	1
SD18	18"	26	1
SD20	20"	26	1



Optional SOE Stand-off shown.

VOLUME DAMPER

Size Availability (W X H)		
Minimum	Maximum	Qty.
6"X6"	36"X12"	1

Options Available:

VD-SOE: VD with Miami Tech's 2" stand-off.

VD-HD: VD with heavy-duty hardware.

Refer to page 30 for options' details.

VOLUME DAMPERS

ALUMINUM OPPOSED-BLADE VOLUME DAMPER

Features:

1. Frame: 6063-T5 extruded aluminum, 0.081" wall thickness.
2. Blades: 6063-T5 extruded aluminum, 0.081" wall thickness. 45-degree angle.
3. Bearings: Permanently lubricated oilite bronze, press fit into frame.
4. Operator Shaft: 1/2" diameter plated steel shaft extends 3" or 6" past frame.
5. Finish: Mill (Standard).

Size Availability (W X H)		
Minimum	Maximum (Single Section)	Qty.
12"X12"	48"X60"	1
Minimum	Maximum (Multi-Section)	Qty.
12"X12"	96"X60" (HORIZONTAL)	1
Minimum	Maximum (Multi-Section)	Qty.
12"X12"	48"X120" (VERTICAL)	1



ALUMINUM PARALLEL -BLADE VOLUME DAMPER

Features:

1. Frame: 6063-T5 extruded aluminum, 0.081" wall thickness.
2. Blades: 6063-T5 extruded aluminum, 0.081" wall thickness. 45-degree angle.
3. Bearings: Permanently lubricated oilite bronze, press fit into frame.
4. Operator Shaft: 1/2" diameter plated steel shaft extends 3" or 6" past frame.
5. Finish: Mill (Standard).

Size Availability (W X H)		
Minimum	Maximum (Single Section)	Qty.
12"X12"	48"X60"	1
Minimum	Maximum (Multi-Section)	Qty.
12"X12"	96"X60" (HORIZONTAL)	1
Minimum	Maximum (Multi-Section)	Qty.
12"X12"	48"X120" (VERTICAL)	1



VOLUME DAMPERS

MOTORIZED OPPOSED BLADE DAMPER



MOBD

Features:

1. Frame: 6063-T5 extruded aluminum, 0.081" wall thickness.
2. Blades: 6063-T5 extruded aluminum, 0.081" wall thickness. 45-degree angle.
3. Bearings: Permanently lubricated nylon bushing, press fit into frame.
4. Gasket: 1" x 1/4" Foam Gasket.
5. Operator Motor: High-Torque Actuator (24/120VAC).
6. Finish: Mill (Standard).

Size Availability (W X H)		
Minimum	Maximum (Single Section)	Qty.
12"X12"	48"X60"	1
Minimum	Maximum (Multi-Section)	Qty.
12"X12"	96"X60" (HORIZONTAL)	1
Minimum	Maximum (Multi-Section)	Qty.
12"X12"	48"X120" (VERTICAL)	1

MOTORIZED PARALLEL -BLADE VOLUME DAMPER



MPBD

Features:

1. Frame: 6063-T5 extruded aluminum, 0.081" wall thickness.
2. Blades: 6063-T5 extruded aluminum, 0.081" wall thickness. 45-degree angle.
3. Bearings: Permanently lubricated oilite bronze, press fit into frame.
4. Operator Shaft: 1/2" diameter plated steel shaft extends 3" or 6" past frame.
5. Operator Motor: High-Torque Actuator (24/120VAC).
6. Finish: Mill (Standard).

Size Availability (W X H)		
Minimum	Maximum (Single Section)	Qty.
12"X12"	48"X60"	1
Minimum	Maximum (Multi-Section)	Qty.
12"X12"	96"X60" (HORIZONTAL)	1
Minimum	Maximum (Multi-Section)	Qty.
12"X12"	48"X120" (VERTICAL)	1

VOLUME DAMPERS

RECTANGULAR MOTORIZED ZONE DAMPER

Features:

1. Body and Frame: 6063-T5 extruded aluminum.
2. Gasket: Vinyl gasket extrusion.
3. Gears: 2" round glass-filled fire retardant nylon.
4. MZD available with two motor actuator styles: POPC; power open, power close (24VAC) (EX. MZD1212-POPC) and POSC; power open, spring close (24VAC) (EX. MZD1408-POSC).

Size Availability (W X H)		
Minimum	Maximum	Qty.
6"X4"	36"X18"	1



MZD

ROUND MOTORIZED ZONE DAMPER

Features:

1. 3/8" aluminum shaft.
2. 22 GA damper blade.
3. Perimeter foam gasket to reduce leakage when damper is closed.

Part No.	Diameter	Body Length	Qty.
MZDR04-POSC	4"	10"	1
MZDR05-POSC	5"	10"	1
MZDR06-POSC	6"	10"	1
MZDR07-POSC	7"	10"	1
MZDR08-POSC	8"	10"	1
MZDR09-POSC	9"	12"	1
MZDR10-POSC	10"	12"	1
MZDR12-POSC	12"	16"	1
MZDR14-POSC	14"	16"	1
MZDR16-POSC	16"	20"	1
MZDR18-POSC	18"	20"	1



MZDR

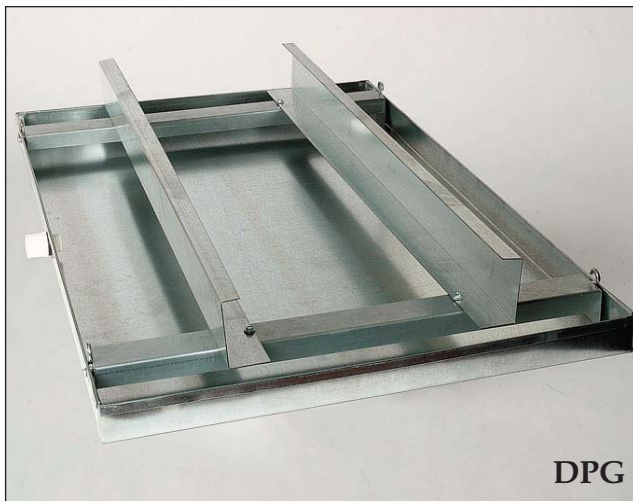
DRAIN PANS



AHK

DRAIN PAN HANGING KIT

Part No.	Description		Qty.
AHK1/4	1/4" Hanging kit		5Kits/Pk.
	32"X 14 Ga. Slotted Angles	2	
	1/4"X 6ft Threaded Rods	4	
	1/4"X 3" Eye Bolts	4	
	1/4"X 2" Eye Lag Bolts	4	
	1/4" Hex Nuts	12	
	5/16" Flat Washers	12	
	3/8" Fender Washers	4	
AHK3/8	3/8" Hanging kit		5Kits/Pk.
	32"X 14 Ga. Slotted Angles	2	
	3/8"X 6Ft Threaded Rods	4	
	1/4" X 3" Eye Bolts	4	
	1/4"X 2" Eye Lag Bolts	4	
	1/4" Hex Nuts	4	
	3/8" Hex Nuts	8	
	5/16" Flat Washers	12	
	3/8" Fender Washers	4	



DPG

Other sizes available upon request. Engineering available.

DRAIN PAN WITH RAILS

Part No.	Size	Ga.	Qty.
DPG2640	26"X40"	24	1
DPG2648	26"X48"	24	1
DPG2655	26"X55"	24	1
DPG2656	26"X56"	24	1
DPG2658	26"X58"	24	1
DPG2660	26"X60"	24	1
DPG2662	26"X62"	24	1
DPG2668	26"X68"	24	1
DPG2850	28"X50"	24	1

DRAIN PANS

DRAIN PAN

Part No.	Size	Ga.	Qty.
DP2424-26	24"X24"	26	1
DP2644-26	26"X44"	26	1
DP2648-26	26"X48"	26	1
DP2650-26	26"X50"	26	1
DP2652-26	26"X52"	26	1
DP2654-26	26"X54"	26	1
DP2656-26	26"X56"	26	1
DP2658-26	26"X58"	26	1
DP2660-26	26"X60"	26	1
DP2662-26	26"X62"	26	1
DP2848-26	28"X48"	26	1
DP2858-26	28"X58"	26	1
DP3060-26	30"X60"	26	1
DP3066-26	30"X66"	26	1
DP3260-26	32"X60"	26	1
DP3262-26	32"X62"	26	1

Standard 2" deep. 3/4" pvc-fitting installed.



Available in 24 Gauge (DP-24).
Available without drain connection (DP-NO).

RHEEM/RUUD HORIZONTAL DRAIN PAN

Features:

Powder-coated galvanized steel.
Brazed corners for a watertight seal.
1/2" NPT Threaded Nipple Installed.

Part No.	Size (WXL)	Ga.	Qty.
MTI-RXCHA10	13"X 19-1/16"	22	1
MTI-RXCHA14	15-1/8"X 21-1/8"	22	1
MTI-RXCHA16	20-3/8"X 23-11/16"	22	1

Product specification available online at www.miamitech.com



AUXILIARY DRAIN PAN

For Rheem air-handler units.
Powder-coated galvanized steel.

Part No.	Size	Ga.	Qty.
DPA	4"X19" X1"	24	1



FIBERGLASS PRODUCTS



RA

FIBERGLASS REDUCERS

Features:

Available assembled (shown) or knocked-down.

Part No.	Size	Option	Qty.
SRA	SMALL	ASSEMBLED	6
MRA	MEDIUM	ASSEMBLED	6
LRA	LARGE	ASSEMBLED	1
XRA	XTRA LARGE	ASSEMBLED	1
SRK	SMALL	KNOCKED-DOWN	12
MRK	MEDIUM	KNOCKED-DOWN	8
LRK	LARGE	KNOCKED-DOWN	8
XRK	XTRA LARGE	KNOCKED-DOWN	8



TA

FIBERGLASS TRIANGLES

Features:

Available assembled (shown) or knocked-down.

Part No.	Size	Option	Qty.
STA	SMALL	ASSEMBLED	6
MTA	MEDIUM	ASSEMBLED	6
LTA	LARGE	ASSEMBLED	6
XTA	XTRA LARGE	ASSEMBLED	6
STK	SMALL	KNOCKED-DOWN	12
MTK	MEDIUM	KNOCKED-DOWN	15
LTK	LARGE	KNOCKED-DOWN	6
XTK	XTRA LARGE	KNOCKED-DOWN	8



PB

FIBERGLASS PLENUM BOXES

Features:

R-6 fiberglass ductboard coated with EPA registered anti-microbial protective acrylic agent on the air-stream side.

Triangle top style available (PB-T).

Other R-values available.

Part No.	Size	Qty.
PB161648	16"X16"X48"	1
PB181548	18"X15"X48"	1
PB181848	18"X18"X48"	1

FIBERGLASS PRODUCTS

FIBERGLASS REGISTER BOX

R6FGB	R6FGBU	Size	Qty.
R6FGB0604	R6FGBU0604	6"X4"	5
R6FGB0606	R6FGBU0606	6"X6"	5
R6FGB0804	R6FGBU0804	8"X4"	5
R6FGB0806	R6FGBU0806	8"X6"	5
R6FGB0808	R6FGBU0808	8"X8"	5
R6FGB1006	R6FGBU1006	10"X6"	5
R6FGB1008	R6FGBU1008	10"X8"	5
R6FGB1010	R6FGBU1010	10"X10"	5
R6FGB1206	R6FGBU1206	12"X6"	5
R6FGB1208	R6FGBU1208	12"X8"	5
R6FGB1212	R6FGBU1212	12"X12"	5
R6FGB1406	R6FGBU1406	14"X6"	5
R6FGB1408	R6FGBU1408	14"X8"	5
R6FGB1414	R6FGBU1414	14"X14"	5
R6FGB1606	R6FGBU1606	16"X6"	5
R6FGB1608	R6FGBU1608	16"X8"	5
R6FGB1616	R6FGBU1616	16"X16"	5
R6FGB1818	R6FGBU1818	18"X18"	5
R6FGB2020	R6FGBU2020	20"X20"	5
R6FGB2424	R6FGBU2424	24"X24"	5



FGB

Features:

Design includes 1/2" drywall lip and rounded corners for added safety.

Opening 1/4" oversized to accommodate register/grille.

Standard Height: 9".

Dual Bead box design for added strength.

R6FGB: Flanged All-fiberglass register box.

R6FGBU: Unflanged All-fiberglass register box.

Options:

R4FGB: R-4 Flanged All-fiberglass register box.

R4FGBU: R-4 Unflanged All-fiberglass register box.

R8FGB: R-8 Flanged All-fiberglass register box.

R8FGBU: R-8 Unflanged All-fiberglass register box.

Available 11" tall (FGB-T).

FIBERGLASS RETURN-AIR REGISTER BOX

Features:

Available in R-4, R-6 or R-8 Fiberglass.

Design includes 1/2" drywall lip and rounded corners for added safety.

Opening 1/2" oversized to accommodate return-air grille.

Dual Bead box design for added strength.

Available 8" or 36" tall.

FGRAB8: Flanged All-fiberglass return-air box 8" tall.

FGRAB36: Flanged All-fiberglass return-air box 36" tall.

FGRABU8: Unflanged All-fiberglass R/A register box 8" t.

FGRABU36: Unflanged All-fiberglass R/A register box 36" t.

Part No.	Size (WXHXD)	Qty.
R6FGRAB241836	24"X18"X36"	1
R6FGRAB301836	30"X18"X36"	1
R6FGRAB361836	36"X18"X36"	1



FGRAB36



FGRAB8

Custom sizes available upon request.

REGISTER BOXES

R-4 REGISTER BOX



R4BF: R-4 Flanged register box.
R4BU: R-4 Unflanged register box.
R4BFG: R-4 Flanged register box with gasket.
 Custom sizes available upon request.

R4BF	R4BU	Size	Ga.	Qty.
R4BF0604	R4BU0604	6"X4"	30	48
R4BF0606	R4BU0606	6"X6"	30	36
R4BF0804	R4BU0804	8"X4"	30	38
R4BF0806	R4BU0806	8"X6"	30	32
R4BF0808	R4BU0808	8"X8"	30	28
R4BF1006	R4BU1006	10"X6"	30	24
R4BF1008	R4BU1008	10"X8"	30	24
R4BF1010	R4BU1010	10"X10"	30	20
R4BF1206	R4BU1206	12"X6"	30	24
R4BF1208	R4BU1208	12"X8"	30	20
R4BF1212	R4BU1212	12"X12"	30	14
R4BF1406	R4BU1406	14"X6"	30	22
R4BF1408	R4BU1408	14"X8"	30	19
R4BF1414	R4BU1414	14"X14"	30	8
R4BF1606	R4BU1606	16"X6"	30	18
R4BF1608	R4BU1608	16"X8"	30	14
R4BF1616	R4BU1616	16"X16"	30	8
R4BF1824	R4BU1824	18"X24"	30	6
R4BF2020	R4BU2020	20"X20"	30	6
R4BF2424	R4BU2424	24"X24"	30	6

REGISTER BOXES

R-6 REGISTER BOX

R6BF	R6BU	Size	Ga.	Qty.
R6BF0604	R6BU0604	6"X4"	30	48
R6BF0606	R6BU0606	6"X6"	30	36
R6BF0804	R6BU0804	8"X4"	30	38
R6BF0806	R6BU0806	8"X6"	30	32
R6BF0808	R6BU0808	8"X8"	30	28
R6BF1006	R6BU1006	10"X6"	30	24
R6BF1008	R6BU1008	10"X8"	30	24
R6BF1010	R6BU1010	10"X10"	30	20
R6BF1206	R6BU1206	12"X6"	30	24
R6BF1208	R6BU1208	12"X8"	30	20
R6BF1212	R6BU1212	12"X12"	30	14
R6BF1406	R6BU1406	14"X6"	30	22
R6BF1408	R6BU1408	14"X8"	30	19
R6BF1414	R6BU1414	14"X14"	30	8
R6BF1606	R6BU1606	16"X6"	30	18
R6BF1608	R6BU1608	16"X8"	30	14
R6BF1616	R6BU1616	16"X16"	30	8
R6BF1818	R6BU1818	18"X18"	30	6
R6BF2020	R6BU2020	20"X20"	30	6
R6BF2424	R6BU2424	24"X24"	30	6

R-6 REGISTER BOX



R6BF



R6BU

R-8 REGISTER BOX

R8BF	R8BU	Size	Ga.	Qty.
R8BF0604	R8BU0604	6"X4"	30	32
R8BF0606	R8BU0606	6"X6"	30	28
R8BF0804	R8BU0804	8"X4"	30	24
R8BF0806	R8BU0806	8"X6"	30	24
R8BF0808	R8BU0808	8"X8"	30	20
R8BF1006	R8BU1006	10"X6"	30	20
R8BF1008	R8BU1008	10"X8"	30	16
R8BF1010	R8BU1010	10"X10"	30	14
R8BF1206	R8BU1206	12"X6"	30	19
R8BF1208	R8BU1208	12"X8"	30	20
R8BF1212	R8BU1212	12"X12"	30	8
R8BF1406	R8BU1406	14"X6"	30	14
R8BF1408	R8BU1408	14"X8"	30	10
R8BF1414	R8BU1414	14"X14"	30	8
R8BF1606	R8BU1606	16"X6"	30	10
R8BF1608	R8BU1608	16"X8"	30	8
R8BF1616	R8BU1616	16"X16"	30	8
R8BF1818	R8BU1818	18"X18"	30	6
R8BF2020	R8BU2020	20"X20"	30	6
R8BF2424	R8BU2424	24"X24"	30	6

R-8 REGISTER BOX



R8BF



R8BU

R6/R8BF: Flanged register box.

R6/R8BU: Unflanged register box.

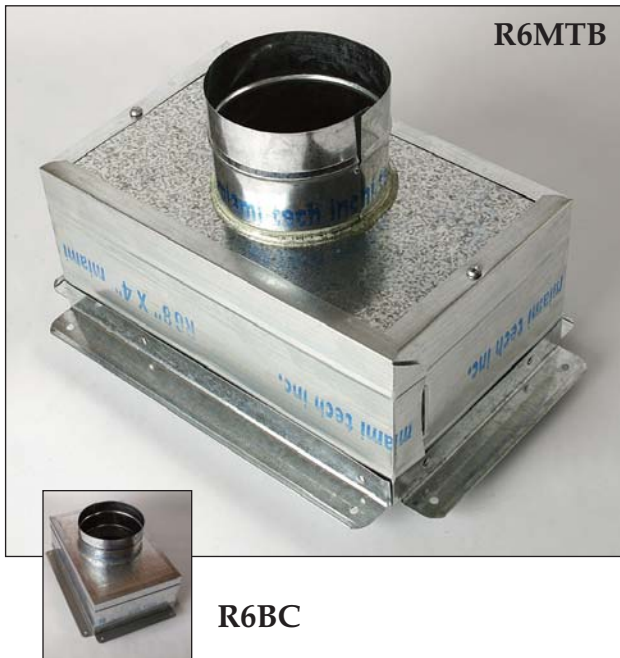
R6/R8BFG: Flanged register box with gasket.

R6/R8BFGS: Flanged register box, sealed with gasket.

Custom sizes available upon request.

REGISTER BOXES WITH COLLAR

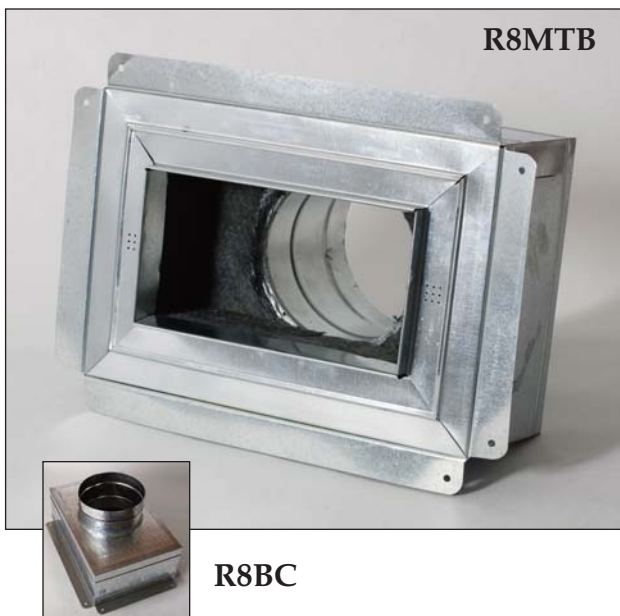
R-6 METAL TOP BOX WITH COLLAR



R6MTB: R-6 Metal-top register box with collar.
R6BC: R-6 Fiberglass-top register box with collar.
R6MTBG: R-6 Fiberglass-top register box with collar & gasket.
R6MTBGS: R-6 Fiberglass-top register box, sealed with collar & gasket.

R6MTB	R6BC	Size	Ga.	Qty.
R6MTB060404	R6BC060404	6"X4"X4"	28	40
R6MTB060604	R6BC060604	6"X6"X4"	28	30
R6MTB060605	R6BC060605	6"X6"X5"	28	30
R6MTB080404	R6BC080404	8"X4"X4"	28	32
R6MTB080405	R6BC080405	8"X4"X5"	28	28
R6MTB080606	R6BC080606	8"X6"X6"	28	27
R6MTB080806	R6BC080806	8"X8"X6"	28	20
R6MTB080807	R6BC080807	8"X8"X7"	28	20
R6MTB100605	R6BC100605	10"X6"X5"	28	25
R6MTB100606	R6BC100606	10"X6"X6"	28	25
R6MTB100607	R6BC100607	10"X6"X7"	28	20
R6MTB100807	R6BC100807	10"X8"X7"	28	20
R6MTB100808	R6BC100808	10"X8"X8"	28	20
R6MTB101007	R6BC101007	10"X10"X7"	28	14
R6MTB101008	R6BC101008	10"X10"X8"	28	14
R6MTB120606	R6BC120606	12"X6"X6"	28	20
R6MTB120607	R6BC120607	12"X6"X7"	28	16
R6MTB120807	R6BC120807	12"X8"X7"	28	17
R6MTB120808	R6BC120808	12"X8"X8"	28	17
R6MTB121208	R6BC121208	12"X12"X8"	28	10
R6MTB121210	R6BC121210	12"X12"X10"	28	10
R6MTB140608	R6BC140608	14"X6"X8"	28	12
R6MTB140808	R6BC140808	14"X8"X8"	28	12

R-8 METAL TOP BOX WITH COLLAR



R8MTB: R-8 Metal-top register box with collar.
R8BC: R-8 Fiberglass-top register box with collar.
R8MTBG: R-8 Fiberglass-top register box with collar & gasket.
R8MTBGS: R-8 Fiberglass-top register box, sealed with collar & gasket.
 Available in R-4 value (R4MTB/R4BC).
 Custom sizes available upon request.

R8MTB	R8BC	Size	Ga.	Qty.
R8MTB060404	R8BC060404	6"X4"X4"	28	1
R8MTB060604	R8BC060604	6"X6"X4"	28	1
R8MTB060605	R8BC060605	6"X6"X5"	28	1
R8MTB080404	R8BC080404	8"X4"X4"	28	1
R8MTB080405	R8BC080405	8"X4"X5"	28	1
R8MTB080606	R8BC080606	8"X6"X6"	28	1
R8MTB080806	R8BC080806	8"X8"X6"	28	1
R8MTB080807	R8BC080807	8"X8"X7"	28	1
R8MTB100605	R8BC100605	10"X6"X5"	28	1
R8MTB100606	R8BC100606	10"X6"X6"	28	1
R8MTB100607	R8BC100607	10"X6"X7"	28	1
R8MTB100807	R8BC100807	10"X8"X7"	28	1
R8MTB100808	R8BC100808	10"X8"X8"	28	1
R8MTB101007	R8BC101007	10"X10"X7"	28	1
R8MTB101008	R8BC101008	10"X10"X8"	28	1
R8MTB120606	R8BC120606	12"X6"X6"	28	1
R8MTB120607	R8BC120607	12"X6"X7"	28	1
R8MTB120807	R8BC120807	12"X8"X7"	28	1
R8MTB120808	R8BC120808	12"X8"X8"	28	1
R8MTB121208	R8BC121208	12"X12"X8"	28	1
R8MTB121210	R8BC121210	12"X12"X10"	28	1
R8MTB140608	R8BC140608	14"X6"X8"	28	1
R8MTB140808	R8BC140808	14"X8"X8"	28	1

SPECIALTY REGISTER BOXES

SIDE-OUTLET REGISTER BOX

R6SRB	R8SRB	Size	Ga.	Qty.
R6SRB060404	R8SRB060404	6"X4"X4"	28	1
R6SRB060604	R8SRB060604	6"X6"X4"	28	1
R6SRB060605	R8SRB060605	6"X6"X5"	28	1
R6SRB080404	R8SRB080404	8"X4"X4"	28	1
R6SRB080405	R8SRB080405	8"X4"X5"	28	1
R6SRB080606	R8SRB080606	8"X6"X6"	28	1
R6SRB080806	R8SRB080806	8"X8"X6"	28	1
R6SRB080807	R8SRB080807	8"X8"X7"	28	1
R6SRB100605	R8SRB100605	10"X6"X5"	28	1
R6SRB100606	R8SRB100606	10"X6"X6"	28	1
R6SRB100607	R8SRB100607	10"X6"X7"	28	1
R6SRB100807	R8SRB100807	10"X8"X7"	28	1
R6SRB100808	R8SRB100808	10"X8"X8"	28	1
R6SRB101007	R8SRB101007	10"X10"X7"	28	1
R6SRB101008	R8SRB101008	10"X10"X8"	28	1
R6SRB101009	R8SRB101009	10"X10"X9"	28	1
R6SRB120606	R8SRB120606	12"X6"X6"	28	1
R6SRB120607	R8SRB120607	12"X6"X7"	28	1
R6SRB120807	R8SRB120807	12"X8"X7"	28	1
R6SRB120808	R8SRB120808	12"X8"X8"	28	1
R6SRB121209	R8SRB121209	12"X12"X9"	28	1
R6SRB121210	R8SRB121210	12"X12"X10"	28	1

SRB



Features:

SRB box height: 9.25" Tall.

Custom sizes available upon request.

R6SRB: R-6 Sideoutlet register box.

R8SRB: R-8 Sideoutlet register box.

Ordering Guidelines:

Specify collar location, as follows:

For rectangular sizes,

Add N to part number for collar on Narrow side.

Add W to part number for collar on Wide side.

Options:

Available in R-4 value (R4SRB).

Custom sizes available upon request.

RETURN AIR BOX

Features:

R6RAB: R-6 Return air box, 4.5" body.

R6RABT: R-6 Return air box, 9.25" body.

All Return-air boxes are 1/2" oversized to accommodate filter grilles.

Also, available in R-4 or R-8 value.

R6RAB	R8RAB	Size	Ga.	Qty.
R6RAB1212	R8RAB1212	12"X12"	30	12
R6RAB1414	R8RAB1414	14"X14"	30	8
R6RAB1616	R8RAB1616	16"X16"	30	8
R6RAB1812	R8RAB1812	18"X12"	30	8
R6RAB1818	R8RAB1818	18"X18"	30	7
R6RAB2020	R8RAB2020	20"X20"	30	6
R6RAB2412	R8RAB2412	24"X12"	30	6
R6RAB2418	R8RAB2418	24"X18"	30	6
R6RAB2424	R8RAB2424	24"X24"	30	6
R6RAB3018	R8RAB3018	30"X18"	30	5

RAB



RABT

SPECIALTY REGISTER BOXES

THRU-WALL BOX (RETURN-AIR TRANSFER BOX)



TWBM



TWBMF



TWB

TWB: Insulated thru-wall box with flange.

TWBM: Non-Insulated thru-wall box plain.

TWBMF: Non-Insulated thru-wall box with flange.

TWB	TWBM	TWBMF	Size	Ga.	Qty.
TWB0804	TWBM0804	TWBMF0804	8"X4"	28	1
TWB0806	TWBM0806	TWBMF0806	8"X6"	28	1
TWB0808	TWBM0808	TWBMF0808	8"X8"	28	1
TWB1006	TWBM1006	TWBMF1006	10"X6"	28	1
TWB1008	TWBM1008	TWBMF1008	10"X8"	28	1
TWB1010	TWBM1010	TWBMF1010	10"X10"	28	1
TWB1206	TWBM1206	TWBMF1206	12"X6"	28	1
TWB1208	TWBM1208	TWBMF1208	12"X8"	28	1
TWB1210	TWBM1210	TWBMF1210	12"X10"	28	1
TWB1212	TWBM1212	TWBMF1212	12"X12"	28	1
TWB1406	TWBM1406	TWBMF1406	14"X6"	28	1
TWB1408	TWBM1408	TWBMF1408	14"X8"	28	1
TWB1410	TWBM1410	TWBMF1410	14"X10"	28	1
TWB1412	TWBM1412	TWBMF1412	14"X12"	28	1
TWB1414	TWBM1414	TWBMF1414	14"X14"	28	1
TWB1606	TWBM1606	TWBMF1606	16"X6"	28	1
TWB1608	TWBM1608	TWBMF1608	16"X8"	28	1
TWB1610	TWBM1610	TWBMF1610	16"X10"	28	1

REGISTER BOXES

MOBILE HOME RETURN BOX

Features:

MHR: Mobile home return boxes are 9.25" tall.
MHRS: Mobile home return boxes are 4.50" tall.
 Filter rack installed.

Part No.	Size	Ga.	Qty.
MHR122012	12"X20"X12"	26	1
MHR141410	14"X14"X10"	26	1
MHR141412	14"X14"X12"	26	1
MHR142012	14"X20"X12"	26	1
MHR142014	14"X20"X14"	26	1



SLANTED-TOP REGISTER BOX

R6SBF	R8SBF	Size	Ga.	Qty.
R6SBF0804	R8SBF0804	8"X4"	26	34
R6SBF0808	R8SBF0808	8"X8"	26	12
R6SBF1008	R8SBF1008	10"X8"	26	12
R6SBF1010	R8SBF1010	10"X10"	26	8
R6SBF1206	R8SBF1206	12"X6"	26	13
R6SBF1208	R8SBF1208	12"X8"	26	8
R6SBF1212	R8SBF1212	12"X12"	26	6
R6SBF1406	R8SBF1406	14"X6"	26	15
R6SBF1408	R8SBF1408	14"X8"	26	10



R6SBF: R-6 Slanted-top register box.
R8SBF: R-8 Slanted-top register box.

ELBOWS



AE

Available 45 degree (AE-45).
Packaging available in donuts upon request.



Sizes: 4" - 14" sold boxed.



AE

ADJUSTABLE ELBOW

30 GAUGE

Part No.	Size	Ga.	Qty.
AE303	3"	30	12
AE304	4"	30	12
AE305	5"	30	12
AE306	6"	30	12
AE307	7"	30	12
AE308	8"	30	12
AE309	9"	30	9
AE3010	10"	30	9
AE3012	12"	30	4

28 GAUGE

Part No.	Size	Ga.	Qty.
AE2810	10"	28	9
AE2812	12"	28	4
AE2814	14"	28	4

26 GAUGE

Part No.	Size	Ga.	Qty.
AE263	3"	26	12
AE264	4"	26	12
AE265	5"	26	12
AE266	6"	26	12
AE267	7"	26	12
AE268	8"	26	12
AE269	9"	26	9
AE2610	10"	26	9
AE2612	12"	26	4
AE2614	14"	26	4
AE2616	16"	26	4
AE2618	18"	26	4
AE2620	20"	26	4

METAL PIPE

30 GAUGE

Part No.	Dia.	Length	Ga.	Qty.
SLP303	3"	5 ft.	30	25 ft.
SLP304	4"	5 ft.	30	25 ft.
SLP305	5"	5 ft.	30	50 ft.
SLP306	6"	5 ft.	30	50 ft.
SLP307	7"	5 ft.	30	50 ft.
SLP308	8"	5 ft.	30	50 ft.
SLP309	9"	5 ft.	30	50 ft.
SLP3010	10"	5 ft.	30	50 ft.
SLP3012	12"	5 ft.	30	50 ft.

28 GAUGE

Part No.	Dia.	Length	Ga.	Qty.
SLP284	4"	5 ft.	28	25 ft.
SLP285	5"	5 ft.	28	50 ft.
SLP286	6"	5 ft.	28	50 ft.
SLP287	7"	5 ft.	28	50 ft.
SLP288	8"	5 ft.	28	50 ft.
SLP2810	10"	5 ft.	28	50 ft.
SLP2812	12"	5 ft.	28	50 ft.
SLP2814	14"	5 ft.*	28	50 ft.

26 GAUGE

Part No.	Dia.	Length	Ga.	Qty.
SLP264	4"	5 ft.	26	25 ft.
SLP265	5"	5 ft.	26	50 ft.
SLP266	6"	5 ft.	26	50 ft.
SLP267	7"	5 ft.	26	50 ft.
SLP268	8"	5 ft.	26	50 ft.
SLP269	9"	5 ft.	26	50 ft.
SLP2610	10"	5 ft.	26	50 ft.
SLP2612	12"	5 ft.	26	50 ft.
SLP2614	14"	5 ft.*	26	50 ft.
SLP26163	16"	3 ft.	26	30 ft.
SLP26183	18"	3 ft.	26	30 ft.
SLP26203	20"	3 ft.	26	30ft.

RIGID VENT PIPE

Part No.	Dia.	Length	Ga.	Qty.
RVP3-30	3"	10 Ft.	30	1500 Ft.
RVP4-30	4"	10 Ft.	30	900 Ft.
RVP3-28	3"	10 Ft.	28	1500 Ft.
RVP4-28	4"	10 Ft.	28	900 Ft.
RVP3	3"	10 Ft.	26	1500 Ft.
RVP4	4"	10 Ft.	26	900 Ft.

SNAP LOCK PIPE



SLP

Features:

All SLP are quick-button lock.

Sizes 8" and larger are ribbed.

Available in 24 gauge in 3ft sections, for sizes 10" and larger (SLP24).

*SLP 14" also available in 3ft sections.

Custom sizes available upon request.



SLP

RIGID VENT PIPE



RVP

METAL FITTINGS



Available in 24 gauge.
Custom sizes available upon request.

METAL TEE

Part No.	Size	Ga.	Qty.
TEE3	3"	30	15
TEE4	4"	30	15
TEE5	5"	30	15
TEE6	6"	30	15
TEE7	7"	30	15
TEE8	8"	30	1
TEE9	9"	28	1
TEE10	10"	28	1
TEE12	12"	28	1
TEE14	14"	26	1
TEE16	16"	26	1
TEE18	18"	26	1



Available in 24 gauge.
Custom sizes available upon request.

END CAP

Part No.	Size	Ga.	Qty.
EC4	4"	26	1
EC5	5"	26	1
EC6	6"	26	1
EC7	7"	26	1
EC8	8"	26	1
EC9	9"	26	1
EC10	10"	26	1
EC12	12"	26	1
EC14	14"	26	1
EC16	16"	26	1
EC18	18"	26	1

METAL FITTINGS

REDUCER

METAL REDUCER

Part No.	Part No.	Size	Ga.	Qty.
RED43	FRED43	4"X3"	28	20
RED54	FRED54	5"X4"	28	20
RED64	FRED64	6"X4"	28	20
RED65	FRED65	6"X5"	28	20
RED75	FRED75	7"X5"	28	20
RED76	FRED76	7"X6"	28	20
RED86	FRED86	8"X6"	28	20
RED87	FRED87	8"X7"	28	20
RED97	FRED97	9"X7"	28	20
RED98	FRED98	9"X8"	28	20
RED106	FRED106	10"X6"	28	20
RED108	FRED108	10"X8"	28	20
RED109	FRED109	10"X9"	28	20
RED128	FRED128	12"X8"	28	20
RED1210	FRED1210	12"X10"	28	20
RED1410	FRED1410	14"X10"	28	1
RED1412	FRED1412	14"X12"	28	1
RED1612	FRED1612	16"X12"	28	1
RED1816	FRED1816	18"X16"	28	1
RED2018	FRED2018	20"X18"	28	1



FLAT REDUCER

FRED

Available with No Crimp (RED-NC).
Other gauges available upon request.

RECTANGULAR TRANSITION

RECTANGULAR TRANSITION (WITH GASKET)

RT	RTD	RTDS	Size	Ga.	Qty.
RT4	RTD4	RTDS4	4"	28	1
RT5	RTD5	RTDS5	5"	28	1
RT6	RTD6	RTDS6	6"	28	1
RT7	RTD7	RTDS7	7"	28	1
RT8	RTD8	RTDS8	8"	28	1
RT10	RTD10	RTDS10	10"	28	1
RT12	RTD12	RTDS12	12"	28	1
RT14	RTD14	RTDS14	14"	28	1
RT16	RTD16	RTDS16	16"	28	1
RT18	RTD18	RTDS18	18"	28	1



RT: Plain Rectangular transition.
RTD: Rectangular transition with damper.
RTDS: Rectangular transition with damper & 2" stand-off.
RTDS-HD: Heavy-duty Rectangular transition with damper & 2" stand-off.
RTDS-HDG: Heavy-duty Rectangular transition with damper, 2" stand-off and blade total-seal gasket.
 Refer to page 30 for hardware details.

RTD

RTDS

RTDS-HD

METAL FITTINGS



RTR

Available with flange (Model RTR-F).
Available in 24 gauge (RTR-24).
Custom sizes available upon request.

RECTANGULAR TO ROUND ADAPTER

Part No.	Rect Size	Round Size	Ga.	Qty.
RTR644	6"X4"	4"	26	1
RTR844	8"X4"	4"	26	1
RTR866	8"X6"	6"	26	1
RTR1066	10"X6"	6"	26	1
RTR1088	10"X8"	8"	26	1
RTR1244	12"X4"	4"	26	1
RTR1266	12"X6"	6"	26	1
RTR1288	12"X8"	8"	26	1
RTR121010	12"X10"	10"	26	1
RTR1466	14"X6"	6"	26	1
RTR1488	14"X8"	8"	26	1
RTR141010	14"X10"	10"	26	1
RTR141212	14"X12"	12"	26	1



STR

STR: Square-to-round adapter, 2" tall body.
STRB: Square-to-round adapter, 4" tall body.
STRC: Square-to-round adapter, 6" tall body.
Available with flange (Model STR-F).
Available in 24 gauge (STR-24).
Custom sizes available upon request.

SQUARE TO ROUND ADAPTER

Part No.	Square Size	Round Size	Ga.	Qty.
STR666	6"X6"	6"	26	1
STR888	8"X8"	8"	26	1
STR101010	10"X10"	10"	26	1
STR121212	12"X12"	12"	26	1
STR141414	14"X14"	14"	26	1
STR161616	16"X16"	16"	26	1
STR181818	18"X18"	18"	26	1
STR222222	22"X22"	22"	26	1

METAL FITTINGS

IN-LINE WYE

Part No.	Size	Ga.	Qty.
ILW444	4"X4"X4"	30	15
ILW544	5"X4"X4"	30	15
ILW554	5"X5"X4"	30	15
ILW555	5"X5"X5"	30	15
ILW644	6"X4"X4"	30	15
ILW666	6"X6"X6"	30	15
ILW866	8"X6"X6"	30	15
ILW12128	12"X12"X8"	28	1
ILW121010	12"X10"X10"	28	1
ILW141212	14"X12"X12"	28	1



ILW

BULL-NOSE WYE

Part No.	Size	Ga.	Qty.
BNW43	4"X3"X3"	30	15
BNW44	4"X4"X4"	30	15
BNW54	5"X4"X4"	30	15
BNW55	5"X5"X5"	30	15
BNW64	6"X4"X4"	30	15
BNW66	6"X6"X6"	30	15
BNW86	8"X6"X6"	30	15
BNW108	10"X8"X8"	28	15
BNW1210	12"X10"X10"	28	1
BNW1212	12"X12"X12"	28	1
BNW1412	14"X12"X12"	28	1
BNW1814	18"X14"X14"	26	1
BNW2016	20"X16"X16"	26	1
BNW2218	22"X18"X18"	26	1
BNW2418	24"X18"X18"	24	1
BNW2420	24"X20"X20"	24	1



BNW

ADJUSTABLE WYE (TWO WAY)

Part No.	Size	Ga.	Qty.
AWT64	6"X4"X4"	30	1
AWT75	7"X5"X5"	30	1
AWT86	8"X6"X6"	30	1
AWT97	9"X7"X7"	28	1
AWT108	10"X8"X8"	28	1
AWT1210	12"X10"X10"	28	1



AWT

MOBILE HOME WYE/965

Part No.	Size	Ga.	Qty.
MHW121010	12"X10"X10"	30	1
MHW121212	12"X12"X12"	30	1
MHW141212	14"X12"X12"	30	1

MHW available with damper (MHW/D/967).
Available in 24 gauge.
Custom sizes available upon request.



MHW

METAL FITTINGS

ICPTRPU



TAKE-OFF COLLAR
FOR ICP PACKAGE-UNIT

Sold individually.

Part No.	Size	Ga.	Qty.
ICPTRPU161012	16"X10"X12"	26	1
ICPTRPU161014	16"X10"X14"	26	1
ICPTRPU161016	16"X10"X16"	26	1

ICPTCPU12SR



TAKE-OFF COLLAR
FOR ICP PACKAGE-UNIT

Sold in sets of 2 (supply & return - same size).

Part No.	Size	Ga.	Qty.
ICPTCPU12SR	10"X16"X12"	26	1 SET (2)

ICPTCPU14



TAKE-OFF COLLAR
FOR ICP PACKAGE-UNIT

Sold individually.

Part No.	Size	Ga.	Qty.
ICPTCPU14	14"X20"X14"	26	1

Product specification available online at www.miamitech.com.

METAL FITTINGS

MODEL RTCPU

TAKE-OFF COLLAR FOR RHEEM/RUUD PACKAGE-UNIT

Sold in sets of 2 (supply & return).

Part No.	Size (Dia.)	Ga.	Qty.
RTCPU12SR	12"	26	1 SET (2)
RTCPU14SR	14"	26	1 SET (2)



RTCPU

MODEL TCPU

TAKE-OFF COLLAR FOR NORDYNE PACKAGE-UNIT

Sold individually.

Part No.	Size	Ga.	Qty.
TCPU12	12"	26	1
TCPU14	14"	26	1



TCPU

MODEL 667PCH

TAKE-OFF COLLAR FOR GOODMAN PACKAGE-UNIT

Sold in sets of 2 (supply & return).

Part No.	Supply Size	Return Size	Qty.
667PCH2	14-3/16"X14-3/16"	14-3/16"X22-3/16"	1 SET (2)
667PCH3	14-3/16"X14-3/16"	14-3/16"X24-3/16"	1 SET (2)



667PCH

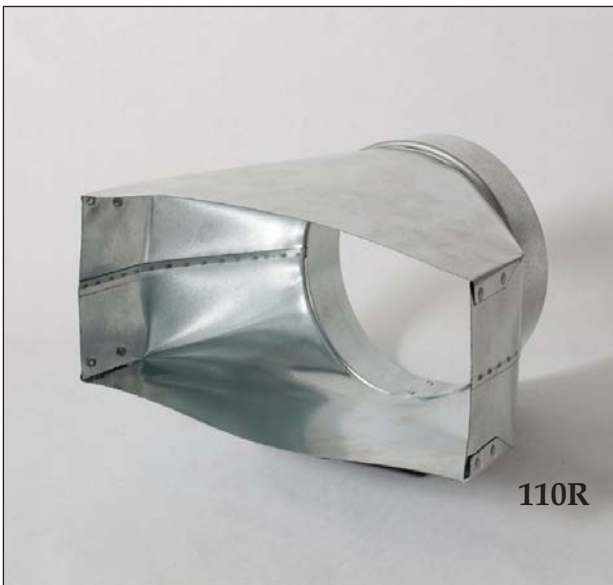
Product specification available online at www.miamitech.com.

METAL REGISTER BOOTS



PLASTER GROUND FRAME

Part No.	Size	Ga.	Qty.
PF0804-24	8"X4"	28	1
PF1004-24	10"X4"	28	1
PF1006-24	10"X6"	28	1
PF1204-24	12"X4"	28	1
PF1206-24	12"X6"	28	1
PF1404-24	14"X4"	28	1
PF1406-24	14"X6"	28	1



STRAIGHT REGISTER BOOT

Part No.	Size	Ga.	Qty.
110R080404	8"X4"X4"	26	1
110R080405	8"X4"X5"	26	1
110R100405	10"X4"X5"	26	1
110R100406	10"X4"X6"	26	1
110R100604	10"X6"X4"	26	1
110R100605	10"X6"X5"	26	1
110R100606	10"X6"X6"	26	1
110R120405	12"X4"X5"	26	1
110R120406	12"X4"X6"	26	1
110R120606	12"X6"X6"	26	1
110R120608	12"X6"X8"	26	1
110R120808	12"X8"X8"	26	1
110R140406	14"X4"X6"	26	1
110R140408	14"X4"X8"	26	1
110R140610	14"X6"X10"	26	1

METAL REGISTER BOOTS

CENTER-END REGISTER BOOT

Part No.	Size	Ga.	Qty.
112R080404	8"X4"X4"	26	1
112R080405	8"X4"X5"	26	1
112R100405	10"X4"X5"	26	1
112R100406	10"X4"X6"	26	1
112R100604	10"X6"X4"	26	1
112R100605	10"X6"X5"	26	1
112R100606	10"X6"X6"	26	1
112R120405	12"X4"X5"	26	1
112R120406	12"X4"X6"	26	1
112R120606	12"X6"X6"	26	1
112R120608	12"X6"X8"	26	1
112R120808	12"X8"X8"	26	1
112R140406	14"X4"X6"	26	1
112R140408	14"X4"X8"	26	1
112R140610	14"X6"X10"	26	1

112R



ELBOW REGISTER BOOT

Part No.	Size	Ga.	Qty.
113R080404	8"X4"X4"	26	1
113R080405	8"X4"X5"	26	1
113R100405	10"X4"X5"	26	1
113R100406	10"X4"X6"	26	1
113R100604	10"X6"X4"	26	1
113R100605	10"X6"X5"	26	1
113R100606	10"X6"X6"	26	1
113R120405	12"X4"X5"	26	1
113R120406	12"X4"X6"	26	1
113R120606	12"X6"X6"	26	1
113R120608	12"X6"X8"	26	1
113R120808	12"X8"X8"	26	1
113R140406	14"X4"X6"	26	1
113R140408	14"X4"X8"	26	1
113R140610	14"X6"X10"	26	1

113R



Custom sizes available upon request.

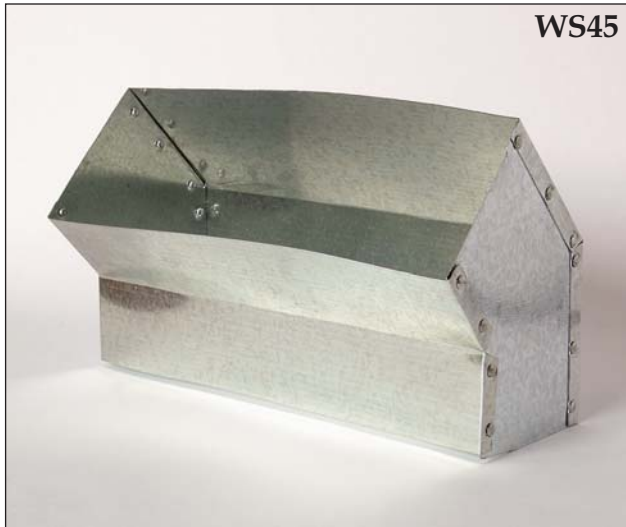
WALL STACK PRODUCTS



WSSE

WALL STACK SHORT-WAY ELBOW

Part No.	Size	Ga.	Qty.
WSSE10	3.25"X10"	26	1
WSSE12	3.25"X12"	26	1
WSSE14	3.25"X14"	26	1



WS45

WALL STACK SHORT-WAY ELBOW
(45 DEGREE)

Part No.	Size	Ga.	Qty.
WS4510	3.25"X10"	26	1
WS4512	3.25"X12"	26	1
WS4514	3.25"X14"	26	1



WSLE

WALL STACK LONG-WAY ELBOW

Part No.	Size	Ga.	Qty.
WSLE10	3.25"X10"	26	1
WSLE12	3.25"X12"	26	1
WSLE14	3.25"X14"	26	1

WALL STACK PRODUCTS

Part No.	Size	Ga.	Qty.
WSST104	3.25"X10"X4"	26	1
WSST105	3.25"X10"X5"	26	1
WSST106	3.25"X10"X6"	26	1
WSST107	3.25"X10"X7"	26	1
WSST108	3.25"X10"X8"	26	1
WSST124	3.25"X12"X4"	26	1
WSST125	3.25"X12"X5"	26	1
WSST126	3.25"X12"X6"	26	1
WSST127	3.25"X12"X7"	26	1
WSST128	3.25"X12"X8"	26	1
WSST144	3.25"X14"X4"	26	1
WSST145	3.25"X14"X5"	26	1
WSST146	3.25"X14"X6"	26	1
WSST147	3.25"X14"X7"	26	1
WSST148	3.25"X14"X8"	26	1

Part No.	Size	Ga.	Qty.
WSET104	3.25"X10"X4"	26	1
WSET105	3.25"X10"X5"	26	1
WSET106	3.25"X10"X6"	26	1
WSET107	3.25"X10"X7"	26	1
WSET108	3.25"X10"X8"	26	1
WSET124	3.25"X12"X4"	26	1
WSET125	3.25"X12"X5"	26	1
WSET126	3.25"X12"X6"	26	1
WSET127	3.25"X12"X7"	26	1
WSET128	3.25"X12"X8"	26	1
WSET144	3.25"X14"X4"	26	1
WSET145	3.25"X14"X5"	26	1
WSET146	3.25"X14"X6"	26	1
WSET147	3.25"X14"X7"	26	1
WSET148	3.25"X14"X8"	26	1

Part No.	Size	Ga.	Qty.
WSCT104	3.25"X10"X4"	26	1
WSCT105	3.25"X10"X5"	26	1
WSCT106	3.25"X10"X6"	26	1
WSCT107	3.25"X10"X7"	26	1
WSCT108	3.25"X10"X8"	26	1
WSCT124	3.25"X12"X4"	26	1
WSCT125	3.25"X12"X5"	26	1
WSCT126	3.25"X12"X6"	26	1
WSCT127	3.25"X12"X7"	26	1
WSCT128	3.25"X12"X8"	26	1
WSCT144	3.25"X14"X4"	26	1
WSCT145	3.25"X14"X5"	26	1
WSCT146	3.25"X14"X6"	26	1
WSCT147	3.25"X14"X7"	26	1
WSCT148	3.25"X14"X8"	26	1

WALL STACK STRAIGHT TRANSITION



WSST

WALL STACK ELBOW TRANSITION



WSET

WALL STACK CENTERED TRANSITION



WSCT

WALL STACK PRODUCTS



WALL STACK PIPE

Part No.	Size	Ga.	Qty.
WSP10	3.25"X10"X3'	26	15 Ft.
WSP12	3.25"X12"X3'	26	15 Ft.
WSP14	3.25"X14"X3'	26	15 Ft.



WALL STACK CAP

Part No.	Size	Ga.	Qty.
WSC10	3.25"X10"	26	1
WSC12	3.25"X12"	26	1
WSC14	3.25"X14"	26	1

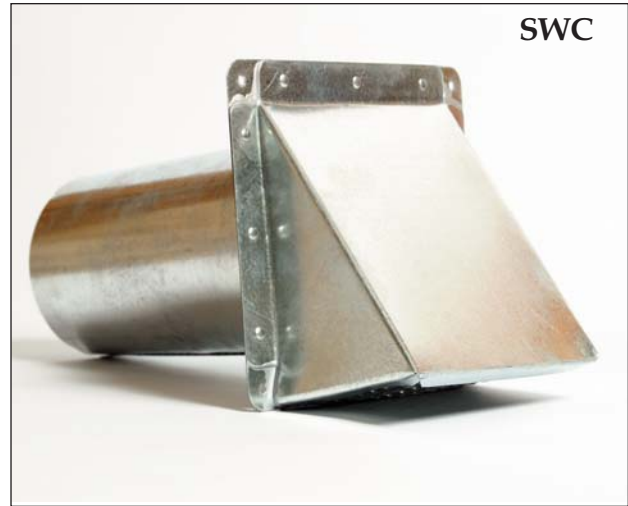
SIDE WALL CAPS

SIDE WALL CAP (Galvanized Steel)

Part No.	Part No.	Size	Ga.	Qty.
SWC03	SWCD03	3"	26	1
SWC04	SWCD04	4"	26	1
SWC05	SWCD05	5"	26	1
SWC06	SWCD06	6"	26	1
SWC07	SWCD07	7"	26	1
SWC08	SWCD08	8"	26	1
SWC10	SWCD10	10"	26	1
SWC12	SWCD12	12"	26	1

SWC: Plain Side Wall Cap.

SWCD: Side Wall Cap With Damper.



SWC

TWIN SIDE WALL CAP (Galvanized Steel)

Part No.	Part No.	Size	Ga.	Qty.
SWCT44	SWCT4D4D	4"X4"	26	1
SWCT64	SWCT6D4D	6"X4"	26	1
SWCT46	SWCT4D6D	4"X6"	26	1
SWCT66	SWCT6D6D	6"X6"	26	1

Ordering Guidelines:

Plain:

SWCT Left X Right.

With damper:

SWCT left D X right D (both sides with dampers).

SWCT left X right D (left plain, right with damper).

Other sizes and combinations available upon request.

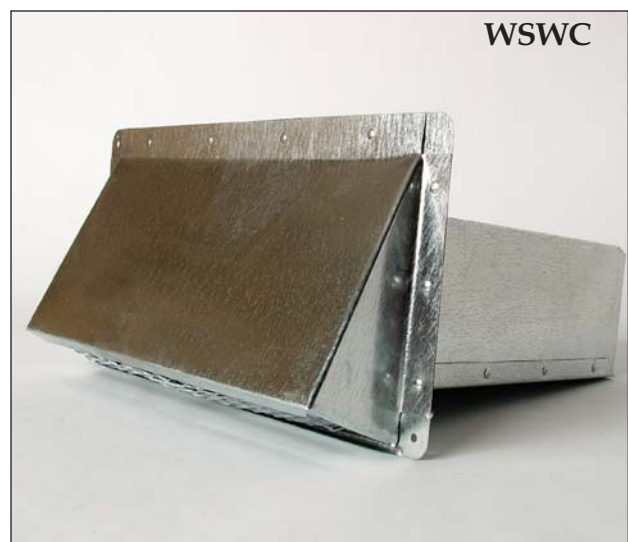


SWCT

WALL STACK SIDE WALL CAP
(Galvanized Steel)

Part No.	Size	Ga.	Qty.
WSWC10	10"	26	1
WSWC12	12"	26	1
WSWC14	14"	26	1

Offered with damper as a standard option.



WSWC

METAL ROOFING PRODUCTS

GRV



GALVANIZED ROOF VENTS

GRV: Galvanized roof vent, standard profile.

GRVT: Galvanized roof vent, tall profile.

GRVXT: Galvanized roof vent, xtra-tall profile.

GRVC: Galvanized roof vent with collar.

GRVD: Galvanized roof vent with damper.

GRVCD: Galvanized roof vent with collar & damper.

Custom sizes available upon request.

Part No.	Size	Profile	Ga.	Qty
GRV4	4"	Standard	26	40
GRV4C	4"	Standard	26	30
GRV4D	4"	Standard	26	40
GRV4CD	4"	Standard	26	30
GRV4T	4"	Tall	26	25
GRV4TC	4"	Tall	26	20
GRV4TD	4"	Tall	26	25
GRV4TCD	4"	Tall	26	20
GRV4XT	4"	Xtra Tall	26	15
GRV4XTC	4"	Xtra Tall	26	10
GRV4XTD	4"	Xtra Tall	26	15
GRV4XTCD	4"	Xtra Tall	26	10
GRV6	6"	Standard	26	25
GRV6D	6"	Standard	26	25
GRV6CD	6"	Standard	26	20
GRV6T	6"	Tall	26	20
GRV6TD	6"	Tall	26	20
GRV6XT	6"	Xtra Tall	26	12
GRV6XTD	6"	Xtra Tall	26	12
GRV6XTCD	6"	Xtra Tall	26	8
GRV10	10"	Standard	26	14
GRV10C	10"	Standard	26	10
GRV10D	10"	Standard	26	14
GRV10CD	10"	Standard	26	10
GRV10T	10"	Tall	26	8
GRV10TD	10"	Tall	26	8
GRV10XT	10"	Xtra Tall	26	8
GRV10XTD	10"	Xtra Tall	26	8

ROOFING PRODUCTS

ALUMINUM ROOF VENTS

ARV: Aluminum roof vent, standard profile.
 ARVT: Aluminum roof vent, tall profile.
 ARVXT: Aluminum roof vent, xtra-tall profile.
 ARVC: Aluminum roof vent with collar.
 ARVD: Aluminum roof vent with damper.
 ARVCD: Aluminum roof vent with collar & damper.
 For brown color, please add "-B" to part number.
 Refer to product specification available online at:
www.miamitech.com



Custom sizes available upon request.

Part No.	Size	Profile	Color	Qty
ARV4	4"	Standard	Mill Finish	40
ARV4C	4"	Standard	Mill Finish	30
ARV4D	4"	Standard	Mill Finish	40
ARV4CD	4"	Standard	Mill Finish	30
ARV4T	4"	Tall	Mill Finish	25
ARV4TC	4"	Tall	Mill Finish	20
ARV4TD	4"	Tall	Mill Finish	25
ARV4TCD	4"	Tall	Mill Finish	20
ARV4XT	4"	Xtra Tall	Mill Finish	15
ARV4XTC	4"	Xtra Tall	Mill Finish	10
ARV4XTD	4"	Xtra Tall	Mill Finish	15
ARV4XTCD	4"	Xtra Tall	Mill Finish	10
ARV6	6"	Standard	Mill Finish	25
ARV6D	6"	Standard	Mill Finish	25
ARV6CD	6"	Standard	Mill Finish	20
ARV6T	6"	Tall	Mill Finish	20
ARV6TD	6"	Tall	Mill Finish	20
ARV6XT	6"	Xtra Tall	Mill Finish	12
ARV6XTD	6"	Xtra Tall	Mill Finish	12
ARV6XTCD	6"	Xtra Tall	Mill Finish	8
ARV10	10"	Standard	Mill Finish	14
ARV10C	10"	Standard	Mill Finish	10
ARV10D	10"	Standard	Mill Finish	14
ARV10CD	10"	Standard	Mill Finish	10
ARV10T	10"	Tall	Mill Finish	8
ARV10TD	10"	Tall	Mill Finish	8
ARV10XT	10"	Xtra Tall	Mill Finish	8
ARV10XTD	10"	Xtra Tall	Mill Finish	8

METAL ROOFING PRODUCTS

SRJ



ARJ



APRJF



APRJ



ROOF JACK (STRAIGHT AND ANGLED)

SRJ	ARJ	Size	Ga.	Qty.
SRJ4	ARJ4	4"	26	1
SRJ5	ARJ5	5"	26	1
SRJ6	ARJ6	6"	26	1
SRJ7	ARJ7	7"	26	1
SRJ8	ARJ8	8"	26	1
SRJ10	ARJ10	10"	26	1
SRJ12	ARJ12	12"	26	1
SRJ14	ARJ14	14"	26	1
SRJ16	ARJ16	16"	26	1
SRJ18	ARJ18	18"	26	1

SRJ: Straight roof jack, 12" clearance.

ARJ: Angled roof jack, 12" clearance.

Options:

*Available with screen (Part No.-S).

ALL-PURPOSE ROOF JACK (STRAIGHT AND ANGLED)

Part No.	Size	Ga.	Qty.
APRJF	3"-10"	26	1
APRJ	3"-10"	26	1

APRJF: Straight all-purpose roof jack, 12" Tall.

APRJ: Angled all-purpose roof jack, 12" Tall.

Ordering guidelines:

Indicate pitch on ARJ and APRJ as follows:

A: 2.5 inches per 12 inch.

B: 3.0 inches per 12 inch.

C: 4.0 inches per 12 inch.

D: 5.0 inches per 12 inch.

Options:

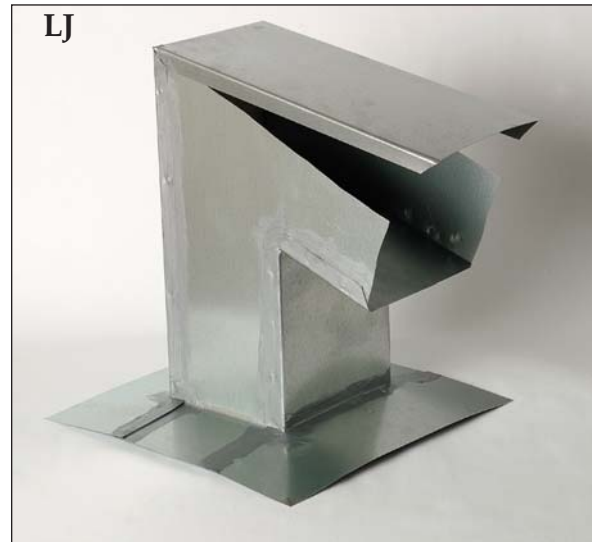
*Available with screen (Part No.-S).

METAL ROOFING PRODUCTS

LINE JACK

Part No.	Size	Ga.	Qty.
LJ5	5"	26	1
LJ6	6"	26	1
LJ7	7"	26	1
LJ10	10"	26	1

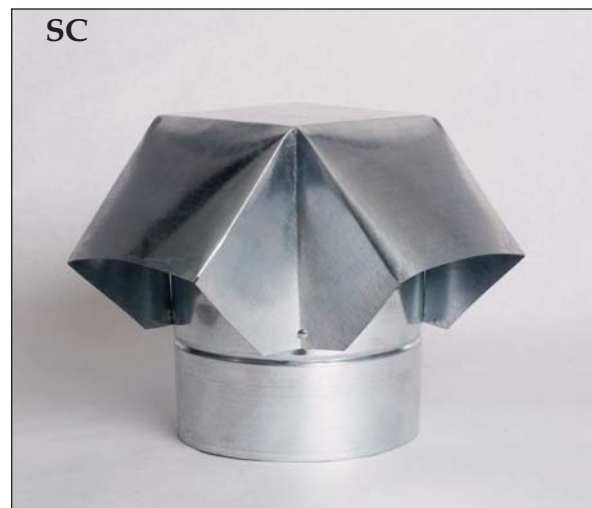
Custom sizes available upon request.



SHANTY CAP

Part No.	Size	Ga.	Qty.
SC06	6"	26	1
SC08	8"	26	1
SC10	10"	26	1
SC12	12"	26	1
SC14	14"	26	1

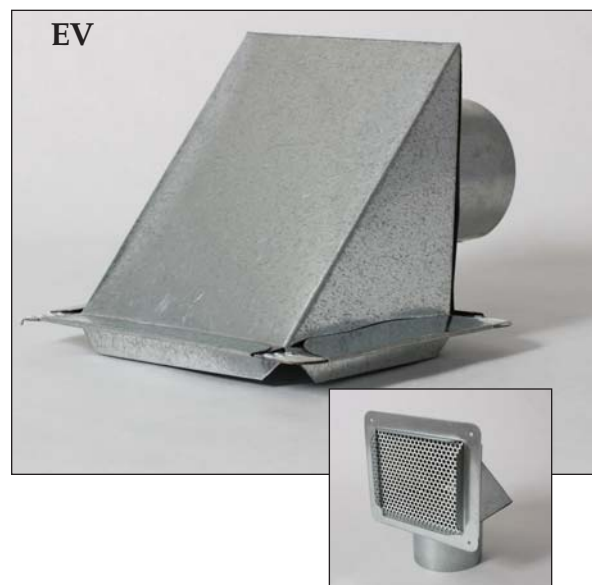
Custom sizes available upon request.

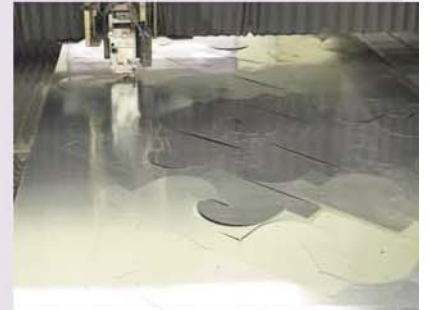


EAVE VENT

Part No.	Size	Ga.	Qty.
EV3	3"	26	1
EV4	4"	26	1
EV5	5"	26	1
EV6	6"	26	1

Available with damper (EVD).





For the most up-to-date literature, please visit our website at www.miamitech.com!

3611 N.W. 74 St. Miami, FL 33147



Special Size? No Problem!

Our machinery is fully automated with the capability of producing most sizes by just pushing a button.

THAT'S QUALITY!

We stock most items shown in this catalog and ship within 72 hours.

THAT'S SERVICE!

**QUALITY AND SERVICE
MAKE THE DIFFERENCE!**

**Toll Free (800) 339-2290
(305) 693-6152 Fax
www.miamitech.com**