

AHEB AIR HANDLER STAND

STANDARD CONSTRUCTION

MATERIALS:

6061-T6 EXTRUDED ALUMINIUM

LEGS:

1" x 1" x 0.09" ALUMINUM SQUARE TUBE

CROSSBAR:

1" x 1" x 0.063" ALUMINUM SQUARE TUBE

0.75" x 0.75" x 0.063" ALUMINUM SQUARE TUBE

ANGLE:

0.75" x 0.75" x 0.125" ALUMINUM ANGLE

F-CHANNEL:

1.75" x 1.125" X 0.125" ALUMINUM F-CHANNEL

OPTIONS:

CUSTOM SIZES AVAILABLE

STANDARD SIZES:

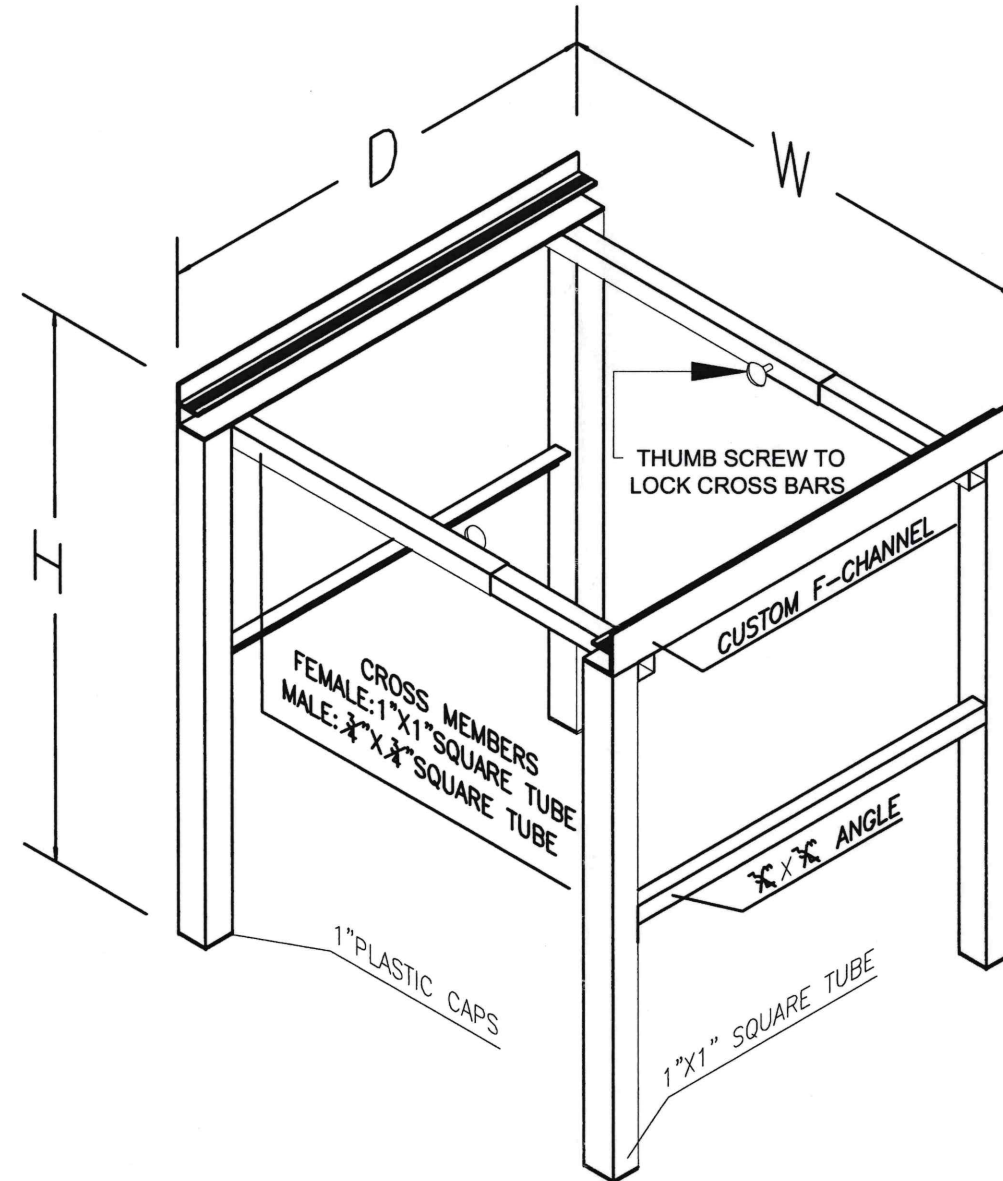
SIZE	HEIGHT (H)	DEPTH (D)	WIDTH (W)
AHEB1720W	17-1/2"	20"	16"-26"
AHEB1722W	17-1/2"	22"	16"-26"
AHEB1727W	17-1/2"	27"	16"-26"
AHEB2022W	20"	22"	16"-26"
AHEB2422W	24"	22"	16"-26"

1/8" X 3/8" RUBBER STRIPS INCLUDED TO MINIMIZE VIBRATION.

1" PLASTIC CAPS ON LOWER LEG OPENINGS.

WIDTH ADJUSTABLE FROM 16" - 26"

MAXIMUM UNIT WEIGHT: 300LBS



DESIGN NOTES:

THIS SYSTEM HAS BEEN DESIGN FOR INTERIOR USE ONLY TO RESIST DEAD LOADS (AS DESCRIBED HEREIN) FOR MECHANICAL UNITS ONLY.

GENERAL NOTES

- THIS SYSTEM HAS BEEN DESIGNED PER THE 2015 ALUMINUM DESIGN MANUAL. IF NECESSARY, VERIFY WITH GOVERNING AUTHORITY THAT THIS STANDARD IS ACCEPTABLE FOR INSTALLATION.
- MAXIMUM DIMENSIONS AND WEIGHT OF A/C UNIT SHALL CONFORM TO SPECIFICATIONS STATED HEREIN.
- THE ARCHITECT/ENGINEER OF RECORD FOR THE PROJECT SUPERSTRUCTURE WITH WHICH THIS DESIGN IS USED SHALL BE RESPONSIBLE FOR THE INTEGRITY OF ALL SUPPORTING SURFACES.
- ALL EXTRUDED MEMBERS SHALL BE ALUMINUM ALLOY TYPE 6061-T6 OR 6005-T5.
- ALUMINUM WELDING SHALL BE PERFORMED IN ACCORDANCE WITH FBC SECTION 2003.8.1.4 WITH WELD FILLER ALLOYS MEETING ANSI/AWS A5.10 STANDARDS TO ACHIEVE ULTIMATE DESIGN STRENGTH IN ACCORDANCE WITH THE ALUMINUM DESIGN MANUAL, TABLE J.2.1. SUGGESTED WELD FILLER: 5356 ELECTRODES. ALL ALUMINUM CONSTRUCTION SHALL BE IN CONFORMANCE WITH THE TOLERANCES, QUALITY AND METHODS OF CONSTRUCTION AS SET FORTH IN FBC SECTION 2003.2 AND THE AMERICAN WELDING SOCIETY'S STRUCTURAL WELDING CODE-ALUMINUM (D1.2). MINIMUM WELD IS 3/8" THROAT FULL PERIMETER FILLET WELD UNLESS OTHERWISE NOTED.
- THE CONTRACTOR IS RESPONSIBLE TO INSULATE MEMBERS FROM DISSIMILAR MATERIALS TO PREVENT ELECTROLYSIS.
- ELECTRICAL GROUND, WHEN REQUIRED, TO BE DESIGNED & INSTALLED BY OTHERS. ALL MECHANICAL SPECIFICATIONS (CLEAR SPACE, TONNAGE, ETC.) SHALL BE AS PER MANUFACTURER RECOMMENDATIONS AND ARE THE EXPRESS RESPONSIBILITY OF THE CONTRACTOR.
- ENGINEER SEAL AFFIXED HERETO VALIDATES STRUCTURAL DESIGN AS SHOWN ONLY. USE OF THIS SPECIFICATION BY CONTRACTOR, et. al. INDEMNIFIES & SAVES HARMLESS THIS ENGINEER FOR ALL COST & DAMAGES INCLUDING LEGAL FEES & APPELLATE FEES RESULTING FROM MATERIAL FABRICATION, SYSTEM ERECTION, CONSTRUCTION PRACTICES BEYOND THAT WHICH IS CALLED FOR BY LOCAL, STATE, & FEDERAL CODES & FROM DEVIATIONS OF THIS PLAN.
- THE SYSTEM DETAILED HEREIN IS GENERIC AND DOES NOT PROVIDE INFORMATION FOR A SPECIFIC SITE. FOR SITE CONDITIONS DIFFERENT FROM THE CONDITIONS DETAILED HEREIN, A LICENSED ENGINEER OR REGISTERED ARCHITECT SHALL PREPARE SITE SPECIFIC DOCUMENTS FOR USE IN CONJUNCTION WITH THIS DOCUMENT.
- EXCEPT AS EXPRESSLY PROVIDED HEREIN, NO ADDITIONAL CERTIFICATIONS OR AFFIRMATIONS ARE INTENDED.

FRANK L. BENNARDO, P.E.
PE# 0046549 CA# 9885

07/05/2019

CERTIFIED ENGINEER IS THE NAME LISTED ON THE SEAL

VALID FOR 1 PERMIT ONLY U.N.O.

NOTICE: IF THIS SHEET DOES NOT CONTAIN AN ORIGINAL SIGNATURE & ENGINEER SEAL:

IF THERE IS A DIGITAL SIGNATURE ON SHEET 1, THIS SHEET IS PART OF A DIGITALLY SIGNED FILE, SHALL REMAIN IN DIGITAL FORMAT, & PRINTED COPIES OF THIS DOCUMENT ARE NOT CONSIDERED SIGNED AND SEALED. IF THERE IS NO DIGITAL SIGNATURE ON SHEET 1 OR THIS SHEET DOES NOT CONTAIN AN ENGINEER'S ORIGINAL SIGNATURE & SEAL, THIS SHEET IS A COPY/DRAFT.

ENGINEERING EXPRESS
CORPORATE OFFICE:
160 SW 12th AVE, SUITE 106
DEERFIELD BEACH, FL 33442
P: (954) 354-0660 F: (954) 354-0443
OFFICE@ENGINEERINGEXPRESS.COM
ENGINEERINGEXPRESS.COM

MIAMI TECH, INC.
3611 NW 74TH ST
MIAMI, FL
(305) 693-7054

AHEB AIR HANDLER STANDS
MASTER PLAN SHEET
FL

REMARKS	DRWN	CHKD	DATE
INIT ISSUE	TV	RN	07/02/19

THIS DOCUMENT IS THE PROPERTY OF ENGINEERING EXPRESS AND SHALL NOT BE REPRODUCED IN WHOLE OR PART WITHOUT WRITTEN CONSENT OF ENGINEERING EXPRESS. ALTERATIONS, ADDITIONS, OR OTHER MARKINGS TO THIS DOCUMENT ARE NOT PERMITTED AND INVALIDATE OUR CERTIFICATION.

COPYRIGHT ENGINEERING EXPRESS®

19-8103a

SCALE: NTS UNLESS NOTED

1 OF 1