

**STANDARD CONSTRUCTION**
**MATERIALS:**

6061-T6 EXTRUDED ALUMINIUM

**LEGS:**

1" x 1" x 0.09" ALUMINUM SQUARE TUBE

**CROSSBAR:**

1" x 1" x 0.09" ALUMINUM SQUARE TUBE

0.75" x 0.75" x 0.063" ALUMINUM SQUARE TUBE

**ANGLE:**

0.75" x 0.75" x 0.125" ALUMINUM ANGLE

**F-CHANNEL:**

1.75" x 1.125" X 0.125" ALUMINUM F-CHANNEL

**OPTIONS:**

CUSTOM SIZES AVAILABLE

**STANDARD SIZES:**

SIZE	HEIGHT (H)	DEPTH (D)	WIDTH (W)
AHEB1720W	17-1/2"	20"	16"-26"
AHEB1722W	17-1/2"	22"	16"-26"
AHEB1727W	17-1/2"	27"	16"-26"
AHEB2022W	20"	22"	16"-26"
AHEB2422W	24"	22"	16"-26"
AHEB3022W	30"	22"	16"-26"

**FEATURES:**

ALUMINIUM PROVIDES EXCELLENT CORROSION RESISTANCE.

1/8" X 3/8" RUBBER STRIPS INCLUDED TO MINIMIZE VIBRATION.

1" PLASTIC CAPS ON LOWER LEG OPENINGS.

UNIVERSAL DEPTH TO FIT MOST AIR HANDLER UNITS.

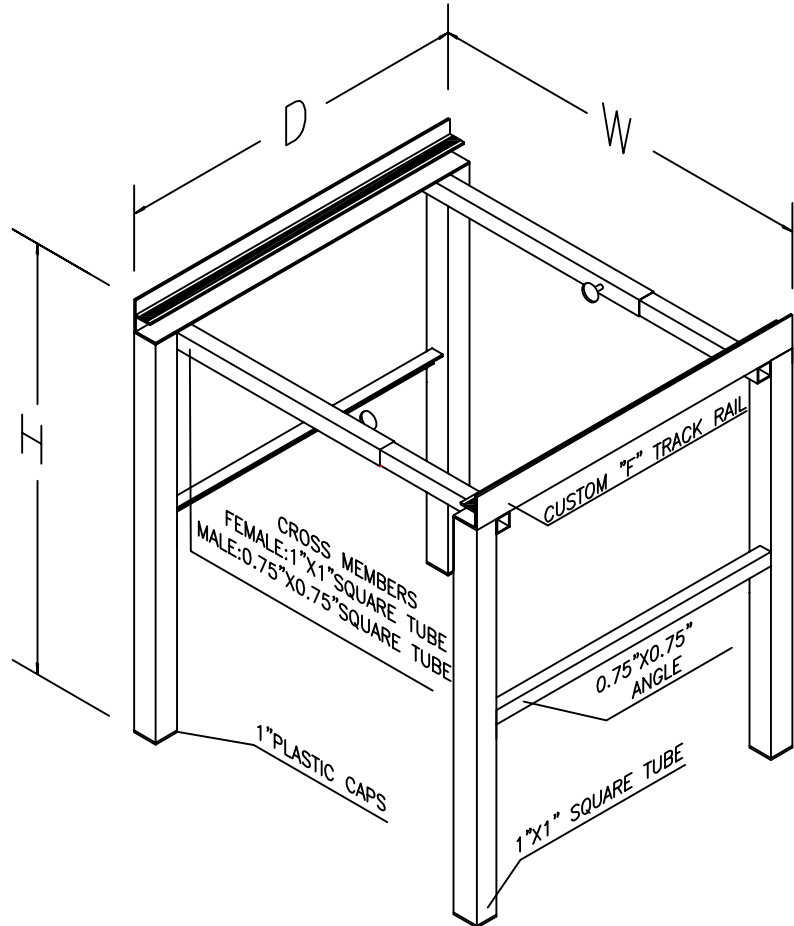
WIDTH ADJUSTABLE FROM 16" - 26"

THUMB SCREWS INCLUDED TO SET SPACING

AVAILABLE IN PALLET QUANTITY OF 25

MAXIMUM UNIT WEIGHT: 300LBS

JOB NAME:
LOCATION:
ARCHITECT:
ENGINEER:
CONTRACTOR:
CONTACT MIAMI TECH INC. FOR ADDITIONAL INFORMATION OR WITH SPECIAL REQUIREMENTS.
3611 NW 74TH ST MIAMI, FL 33147 PHONE: 305-693-7054 FAX: 305-693-6152  WEB: WWW.MIAMITECH.COM EMAIL: SALES@MIAMITECH.COM


**AHEB**

 ALUMINIUM AIR HANDLER STAND  
 PRODUCT SPECIFICATIONS

NOTE: ALL DRAWINGS SUBJECT TO CHANGE WITHOUT PRIOR NOTICE.


**miami tech inc.**

DRAWN BY:	AF	DATE:	1/7/2009	SCALE:	NOT TO SCALE	DRAWING NO.:	AHEB
CHECKED BY:	IV	DATE:	7/3/19	REVISION:	E		