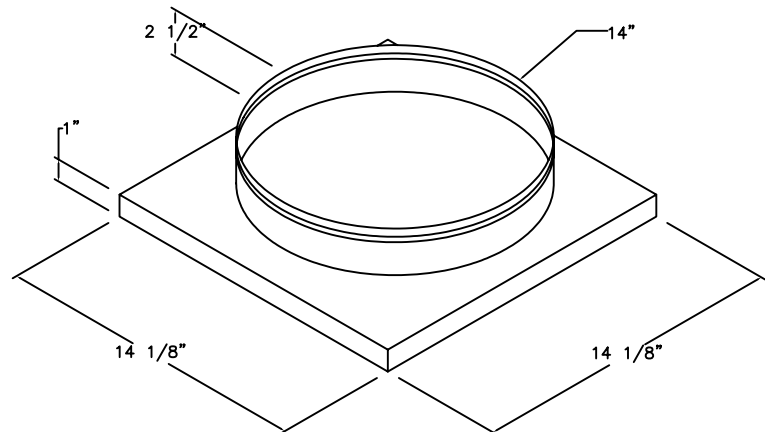


STANDARD CONSTRUCTION

26 GAUGE ASTM A-653 HOT -DIPPED GALVANIZED STEEL

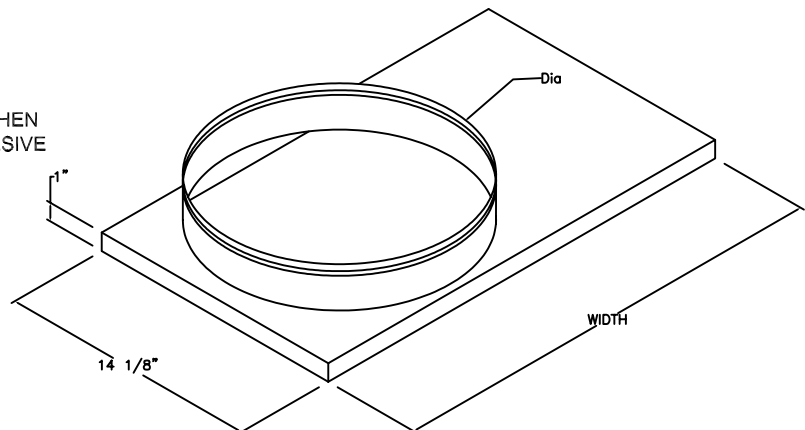
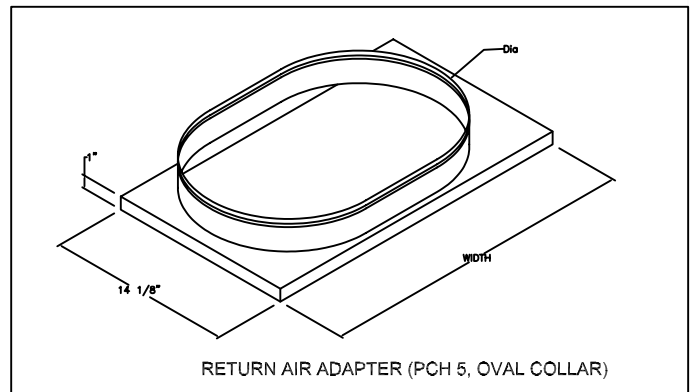
COLLAR: 26 GAUGE HOT DIPPED GALVANIZED STEEL

 INSULATION:
 1"-R4 BLACK DIFFUSER BOARD

SUPPLY AIR ADAPTER
STANDARD SIZES:

MODEL	SUPPLY AIR ADAPTER (HxWxDia)	RETURN AIR ADAPTER (HxWxDia)
667PCH 2	14 1/8" x 14 1/8" x 14"	14 1/8" x 22 1/8" x 14"
667PCH 3	14 1/8" x 14 1/8" x 14"	14 1/8" x 24 1/8" x 14"
667PCH 5	14 1/8" x 14 1/8" x 14"	14 1/8" x 24 1/8" x 18" (oval)

FEATURES

COLLAR INSTALLED WITH EXPANSION LOCK AND THEN SEALED AIR TIGHT WITH PARABOND ALUMINUM ADHESIVE

 BLACK DIFFUSER BOARD COATED WITH EPA-REGISTERED, ANTI-MICROBIAL, PROTECTIVE ACRYLIC AGENT ALONG AIR STREAM SIDE.
 SOLD IN SETS (SUPPLY/RETURN).

RETURN AIR ADAPTER

RETURN AIR ADAPTER (PCH 5, OVAL COLLAR)

JOB NAME:
LOCATION:
ARCHITECT:
ENGINEER:
CONTRACTOR:
CONTACT MIAMI TECH INC. FOR ADDITIONAL INFORMATION OR WITH SPECIAL REQUIREMENTS. 3611 NW 74TH ST MIAMI, FL 33147 PHONE: 305-693-7054 FAX: 305-693-6152 WEB: WWW.MIAMITECH.COM EMAIL: SALES@MIAMITECH.COM

667PCH
GOODMAN TAKE-OFF COLLAR FOR PACKAGE-UNIT

PRODUCT SPECIFICATIONS

NOTE: ALL DRAWINGS SUBJECT TO CHANGE WITHOUT PRIOR NOTICE.